

L3200 BIOLOGICAL MICROSCOPE



L3200

Category: Biological Microscope

Model: L3200

Magnification: 40X--1000X

Illumination: 6V30W halogen lamp, adjustable brightness

L3200series biological microscopes are equipped with infinity plan achromatic objectives and wide field eyepieces. They have beautiful sculpt and provide clear image, wide field, convenience operation. They can be used for biology medicine agriculture and industry area widely. They are the ideal instrument in medical treatment, teaching demonstration and scientific research.

Features

- ▲ Equipped with wide field eyepieces and infinity plan achromatic objectives, the field of view is widely and clear
- ▲ Coaxial coarse/fine focus system, with tensional adjustable and up stop, minimum division of fine focusing: 2 μ m

▲ Maximal movement of stage is 30mm

▲ Using Kohler illumination with Integrated field diaphragm and 6V30W halogen lamp, adding radiator and brightness control.

▲ Trinocular can be observation for eyepieces and microphotography in 100% light flux, suits for low illuminance microphotography.



Observe system:

The trinocular can easily change in the observation and photography Inclination of 30, you do not need to down head or horizontal observation in the long time, it can make the neck and shoulder of operator feel comfortable, base on the 100% pass of light of Trinocular, the microscope adapt to low illumination of photography.

The field of plan objective can achieve $\Phi 22$, which let you have more wide and comfortable of observation, eyepatch can be added.

Stage:

Double layer mechanical stage , size of 210mmX140mm, move range: 75mmX50mm. The design is in reason so that the operator feel easy and comfort.



Transmitted illumination system:

With 6V 20W halogen lamp (brightness adjustable) can provide clear and bright image.

Collector for halogen lamp illumination and integrated field diaphragm.

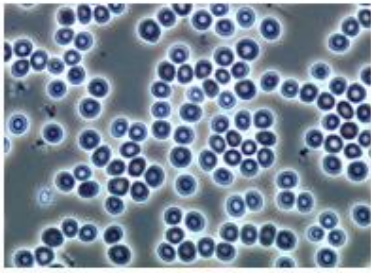
Function spread

By adding the appurtenance such as CCD adapter, digital camera adapter and single-reverse digital camera adapter etc. It can achieve high clear observation mode of camera and vidicon.

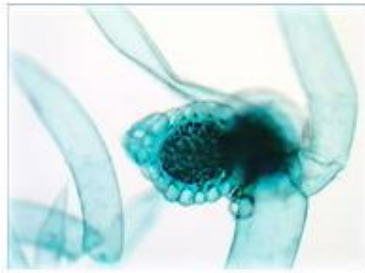
Camera observation unit



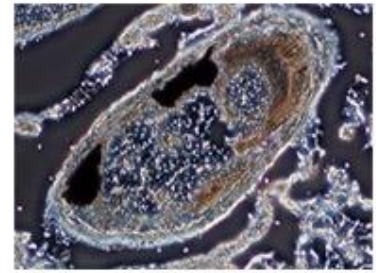
Digital camera photography:



Phase contrast observe



Bright type observe



Phase contrast observe

Standard Configuration

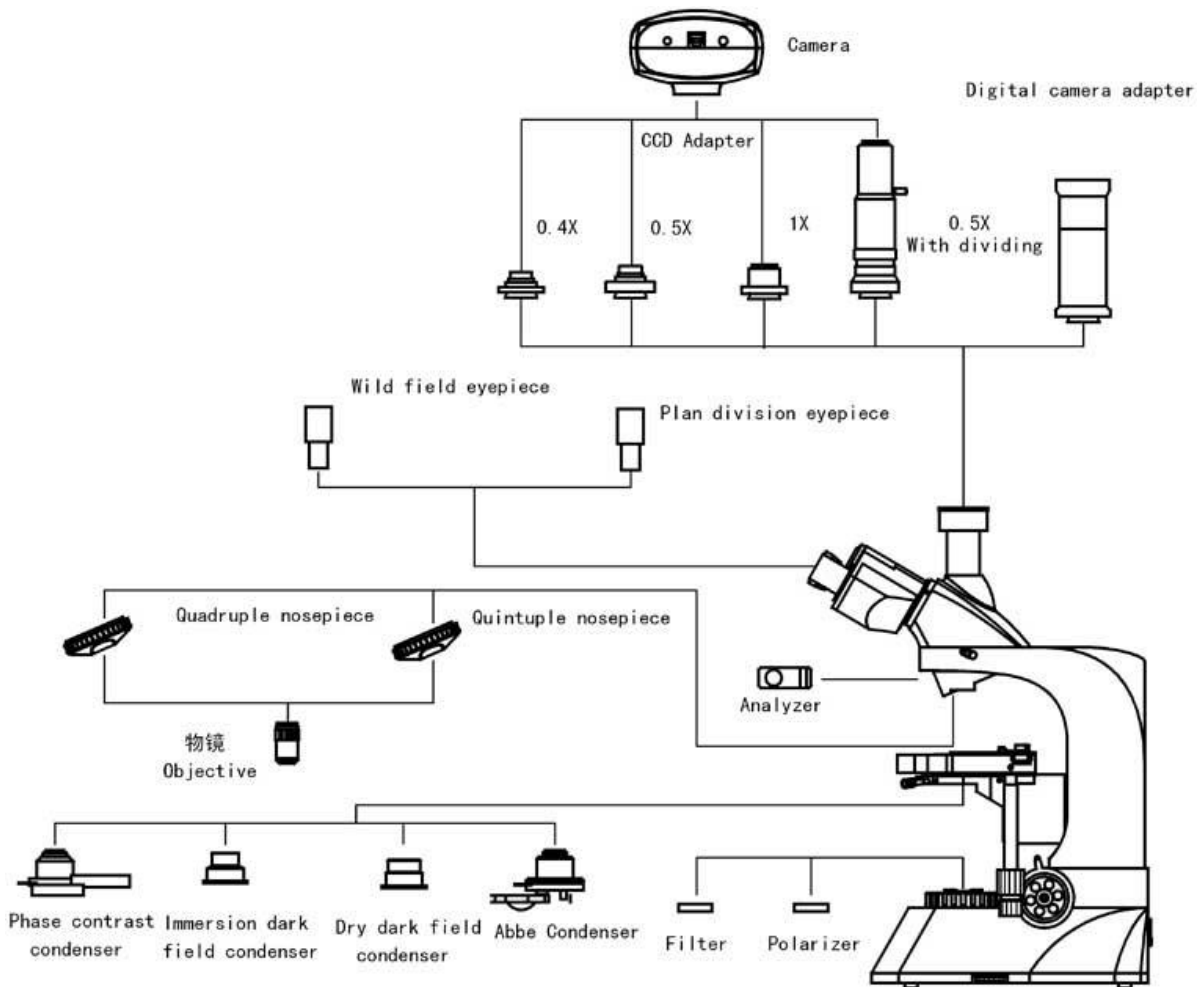
Model	L3200	
Eyepiece	WF10X (Φ 22mm)	
Objective	Infinity plan achromatic objective	
	PL 4X/0.10(Work distance): 21 mm	
	PL 10X/0.25(Work distance): 5.0mm	
	PL 40X/0.65(Spring) (Work distance): 0.66 mm	
	PL 100X/1.25(Spring, oil) (Work distance): 0.36mm	
Eyepiece tube	L3200HBG	Binocular (Inclination of 30°)
	L3200HTG	Trinocular(Inclination of 30°)
Focus system	Coaxial coarse/fine focus, with tension adjustable and up stop minimum division of fine focusing: 2 μm.	
Nosepiece	Quadruple(Backward ball bearing inner locating)	
Stage	Double layer mechanical (Size:210mmX140mm, Move range: 75mmX50mm)	
Abbe condenser	N. A. 1.25Rack & pinion adjustable	
Filter	Blue filter	
	Frosted filter	
Collector	For halogen lamp(With field diaphragm)	
Light source	6V 30W Halogen lamp with brightness control	

Optional accessories

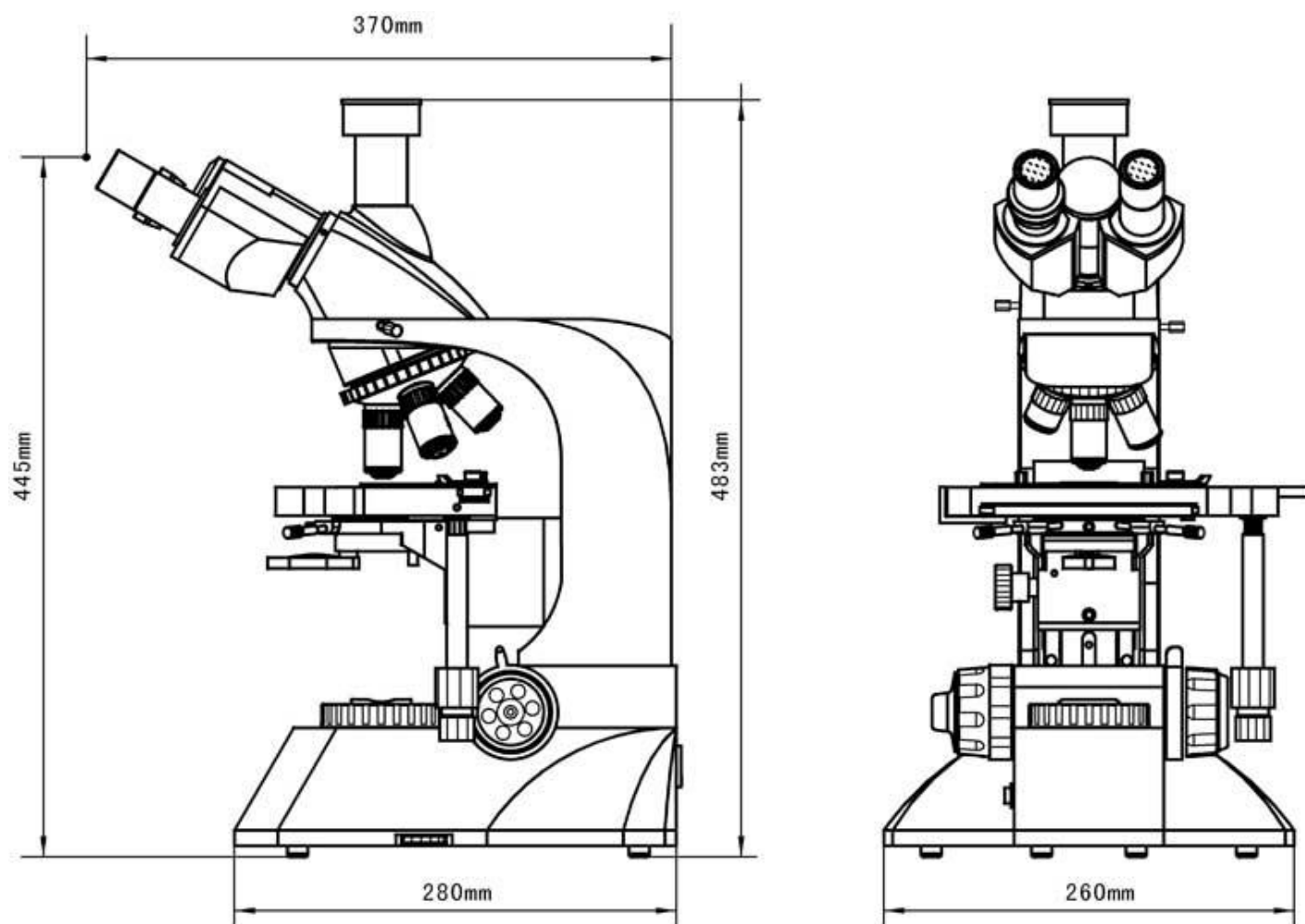
Name	Sort/Technique parameter	NO.	
Eyepiece	Dividing eyepiece(field number:Φ 22mm) 0.10mm/Div	1122010	
Objective	Infinity plan achromatic objective		
	PL 20X/0.40(Work distance): 8.8 mm	2060120	
	PL 60X/0.85(Work distance): 0.25mm	2060160	
Nosepiece	Quintuple(Backward ball bearing inner locating)	032002	
Filter	Green filter	115002	
	Yellow filter	115003	
Condenser	Dark field	Dry type	051001
		Immersion type	051002
Phase contrast unit	Eyepiece	Centering telescope	110002
	Objectives	Infinity phase contrast plan achromatic 10X/0.25 PHP	2470110
		Infinity phase contrast plan achromatic 20X/0.40 PHP	2470120
		Infinity phase contrast plan achromatic 40X/0.65	2470140

		PHP(Spring)	
		Infinity phase contrast plan achromatic 100X/1.25	2470111
		PHP(Spring, oil)	
	(PH- I)	Turnplate phase contrast condenser	052001
	(PH- II)	Turnplate phase contrast condenser	052004
		Flashboard phase contrast condenser	052002
		Pull board phase contrast condenser	052003
CCD adapter		0.4X	810001
		0.5X	810004
		1X	810002
		0.5X with dividing 0.1mm/Div	810003
Camera		DV-1 Video output 380/520 TV line USB output £ 0.42 M pixel	800001
		DV-2 With USB output 1.3M, 2.0M, 3.0M pixel	800003
		DV-3 With video output 380/520 TV line	800005
Photo unit		2.5X/4X Change over photograph attachment with 10X viewing eyepiece	840001
		4X Focusing photograph attachment	840002
		MD adapter	840003
		PK adapter	840004
Digital camera adapter		CANON (A570, A610, A620, A630, A640, A650, EF) NIKON (F)	820001
Facility polarize	Polarizer	360° rotatable stage	111001
	Analyzer	Sliding type	111105

System Diagram



Dimension



*Items and specification subject to change,
please contact ALLTION for current product information*

MICROSCOPES ARE OUR BUSINESS & SERVICE IS OUR PRIDE

ALLTION
(Wuzhou) Co., Ltd.

Address: Alltion Building, NO.10, 3rd Road, Wuzhou Industrial Park, Wuzhou, Guangxi, China
543000

Tel: +86-774-2836101

Fax: +86-774-2836192

E-mail: sales@alltion.com or sales@alltion-microscope.com

Web site: <http://www.alltion.com> or <http://www.alltion-microscope.com>