

L3000 series biological microscope



L3000 series biological microscope is equipped with plan achromatic objectives and wide field eyepieces. It provides clear image, wide field, convenience operation. It can be used for biology medicine agriculture and industry area widely. It is the ideal instrument in medical treatment, teaching demonstration and scientific research.

Features

- ▲ With wide field eyepieces and plan achromatic objectives, the field of view is widely and clear
- ▲ Coaxial coarse/fine focus system, with tensional adjustable and up stop, minimum division of fine focusing: $2\mu\text{m}$
- ▲ Using Kohler illumination with 6V 20W halogen lamp with brightness control

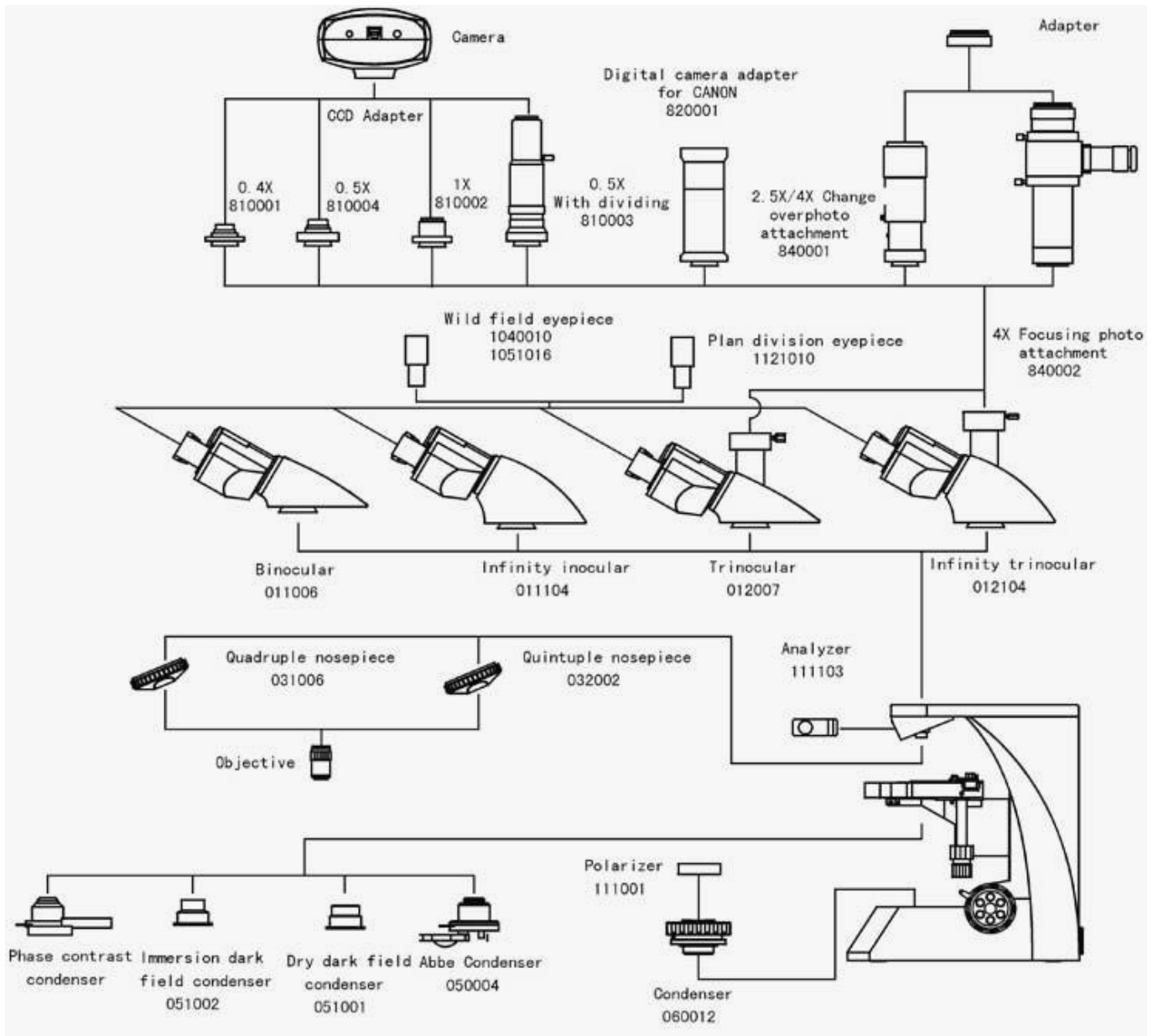
Standard Configuration

Model	L3000A	L3000B
Eyepiece	WF10X(\downarrow μ 20mm)	
Objective	Plan achromatic PL 4X/0.10	Plan achromatic PL 4X/0.10
	Plan achromatic PL 10X/0.25	Plan achromatic PL 10X/0.25
		Plan achromatic PL 20X/0.40
	Plan achromatic PL 40X/0.65(Spring)	Plan achromatic PL 40X/0.65(Spring)
	Plan achromatic PL 100X/1.25(Spring, oil)	Plan achromatic PL 100X/1.25(Spring, oil)
Eyepiece tube	Binocular(Inclination of 30°)	
Focus system	Coaxial coarse/fine focus, with tension adjustable and up stop minimum division of fine focusing: 2 μ m.	
Nosepiece	Quadruple(Backward ball bearing inner locating)	Quintuple(Backward ball bearing inner locating)
Stage	Double layer mechanical (Size:210mmX140mm, Move range: 75mmX50mm)	
Abbe condenser	N.A. 1.25 Rack & pinion adjustable	
Filter	Blue filter	
	Frosted filter	
Collector	For halogen lamp	
Light source	6V 20W Halogen lamp with brightness control	

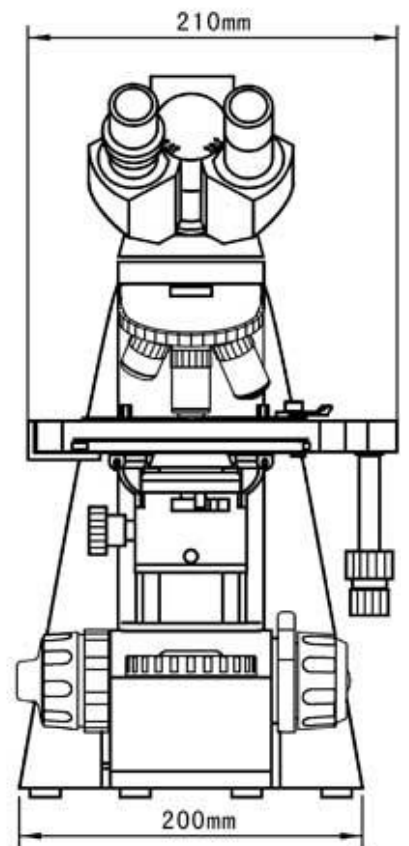
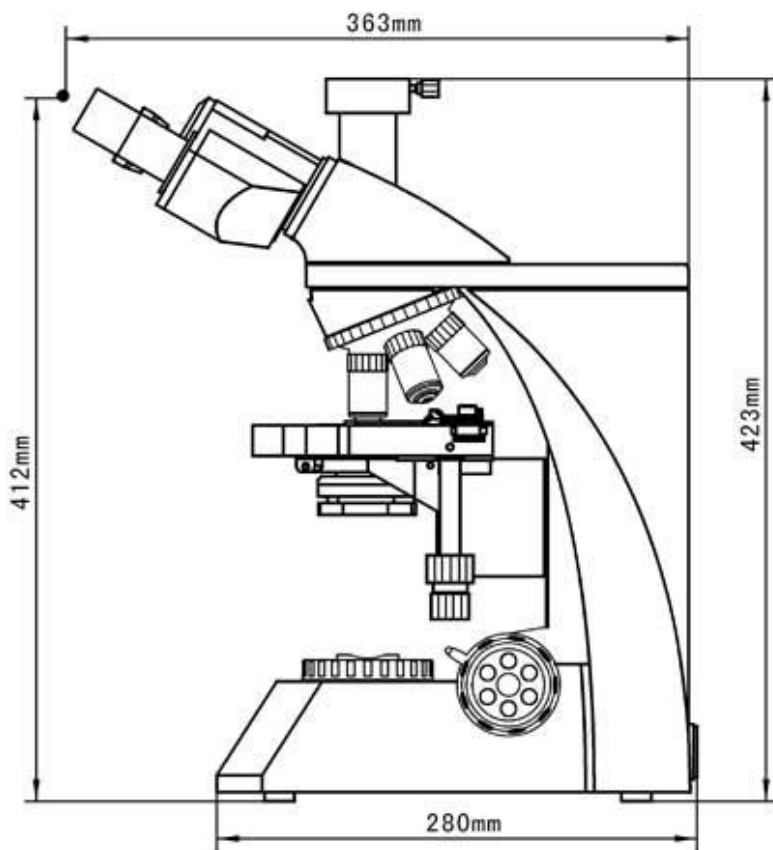
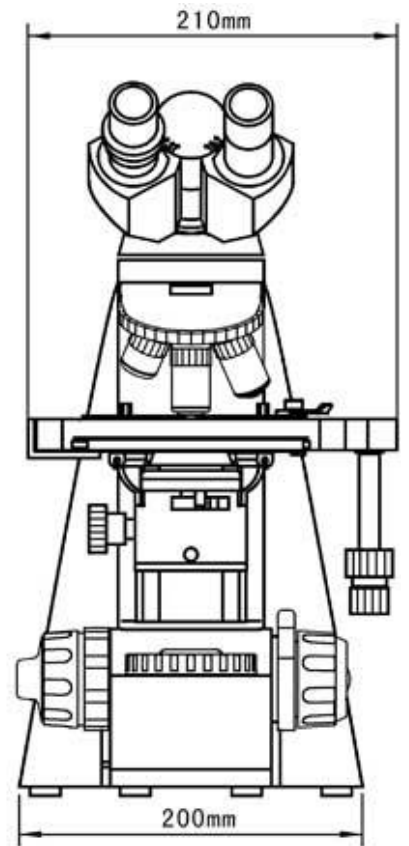
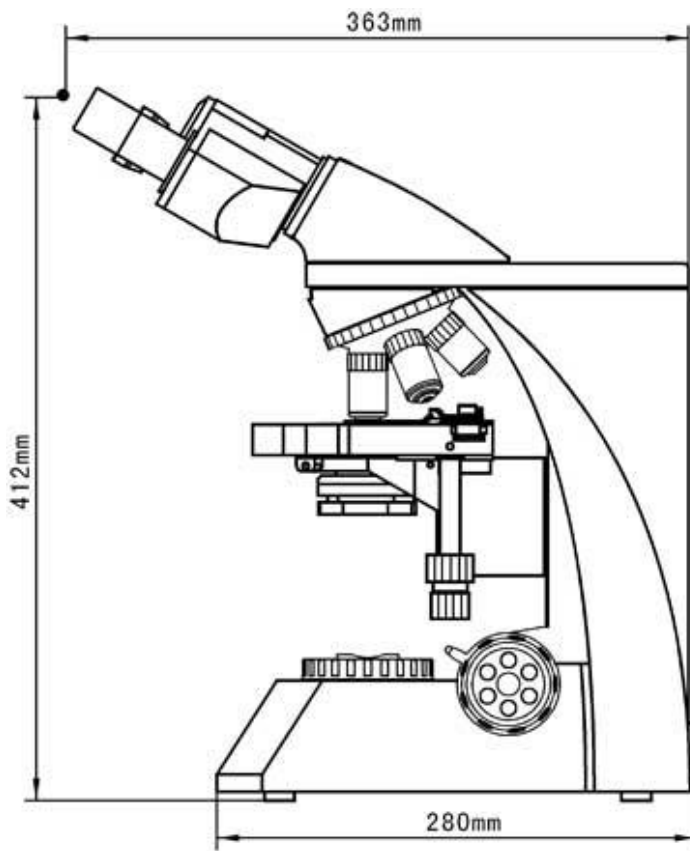
Optional accessories

Name	Sort/Technique parameter		NO.	
Eyepiece	WF16X (μ 11mm)		1051016	
	Dividing 10X (μ 20mm), 0.1mm/Div		1121010	
Eyepiece tube	Trinocular	Inclination of 30°	012007	
Filter	Green filter		115002	
	Yellow filter		115003	
Condenser	Dark field	Dry	051001	
		Immersion	051002	
Phase contrast unit	Eyepiece	Centering telescope	110001	
	Objectives	Phase contrast plan achromatic 10X/0.25 PHP	2420110	
		Phase contrast plan achromatic 20X/0.40 PHP (Spring)	2420120	
		Phase contrast plan achromatic 40X/0.65 PHP (Spring)	2420140	
		Phase contrast plan achromatic 100X/1.25 PHP (Spring, oil)	2420111	
	Turnplate phase contrast condenser (PH- $\zeta\eta$)		052001	
	Turnplate phase contrast condenser (PH- $\zeta\delta$)		052004	
	Flashboard phase contrast condenser		052002	
	Pull board phase contrast condenser		052003	
	Infinity optical system	Eyepiece tube	Binocular (Inclination of 30°)	011104
Trinocular (Inclination of 30°)			012104	
Eyepiece		Centering telescope	110002	
Objectives		Infinity plan achromatic 4X/0.10	2060104	
		Infinity plan achromatic 10X/0.25	2060110	
		Infinity plan achromatic 20X/0.40	2060120	
		Infinity plan achromatic 40X/0.65 (Spring)	2060140	
		Infinity plan achromatic 100X/1.25 (Spring, oil)	2060111	
		Infinity phase contrast plan achromatic 10X/0.25 PHP	2470110	
		Infinity phase contrast plan achromatic 20X/0.40 PHP	2470120	
		Infinity phase contrast plan achromatic 40X/0.65 PHP (Spring)	2470140	
Infinity phase contrast plan achromatic 100X/1.25 PHP (Spring, oil)		2470111		
CCD adapter		0.4X		810001
		0.5X		810004
	1X		810002	
	0.5X with dividing 0.1mm/Div		810003	
Camera	DV-1 (With USB & video output)		800001	
	DV-2 (With USB output)		800003	
	DV-3 (With video output)		800005	
Digital camera adapter	Digital camera adapter (A610, A620, A630, A640)		820001	
Photograph unit	2.5X/4X Change over photograph attachment with 10X viewing eyepiece		840001	
	4X Focusing photograph attachment		840002	
	MD Adapter		840003	
	PK Adapter		840004	
Facility polarize	Polarizer (360° rotatable stage)		111001	
	Analyzer		111103	

System Diagram



Dimension



*Items and specification subject to change,
please contact ALLTION for current product information*

MICROSCOPES ARE OUR BUSINESS & SERVICE IS OUR PRIDE

ALLTION
(Wuzhou) Co., Ltd.

Address: NO.10, 3RD ROAD, Wuzhou Industrial park, Wuzhou City, Guangxi Province, China

Tel: +86-774-2836101

Fax: +86-774-2836192

E-mail: sales@alltion.com or sales@alltion-microscope.com

Web site: <http://www.alltion.com> or <http://www.alltion-microscope.com>