

L2050 Biological Microscope



L2050

Category: Biological Microscope

Model: L2050

Magnification: 40X--1000X

Illumination: 12V50W halogen lamp, adjustable brightness

Product Price: Advisory Service

L2050series biological microscopes are equipped with plan achromatic objectives and wide field eyepieces. They have clear image, wide field, beautiful sculpt, convenient operation and etc. they can be used for biology, medicine, agriculture and industry area widely. They are the ideal instruments in medical treatment, teaching demonstration and scientific research.

Features

- ▲ With wide field eyepieces and plan achromatic objectives, the field of view is widely and clear
- ▲ Coaxial coarse/fine focus system, with tensional adjustable and up stop, minimum division of fine focusing: 2 μ m
- ▲ Using Kohler illumination with 12V 50w halogen lamp with brightness control.

Standard Configuration

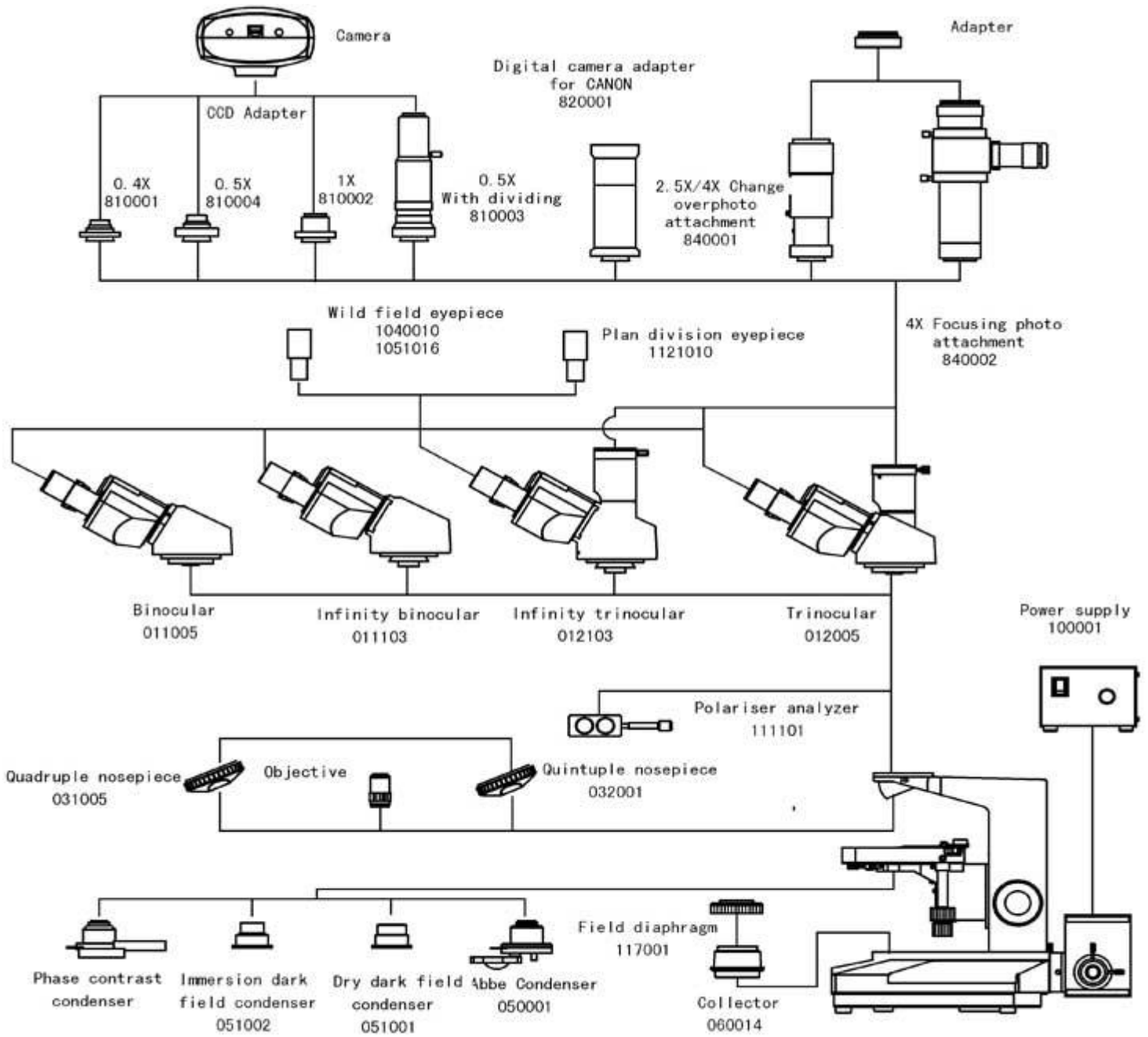
Model	L2050
Eyepiece	WF10X(Φ20mm)
Objective	Plan achromatic PL 4X/0.10
	Plan achromatic PL 10X/0.25
	Plan achromatic PL 20X/0.40
	Plan achromatic PL 40X/0.65(Spring)
	Plan achromatic PL 100X/1.25(Spring, oil)
Eyepiece tube	Binocular(Inclination of 30°)
Focus system	Coaxial coarse/fine focus, with tensional adjustable and up stop minimum division of fine focusing: 2μm.
Nosepiece	Quintuple(Backward ball bearing inner locating)
Stage	Double layer mechanical (Size:160mmX140mm, Move range: 75mmX50mm)
Abbe condenser	N.A.1.25 Rack & pinion adjustable
Filter	Blue filter
	Frosted filter
Collector	For halogen lamp
Light source	12V 50W Halogen lamp with brightness control.

Optional accessories

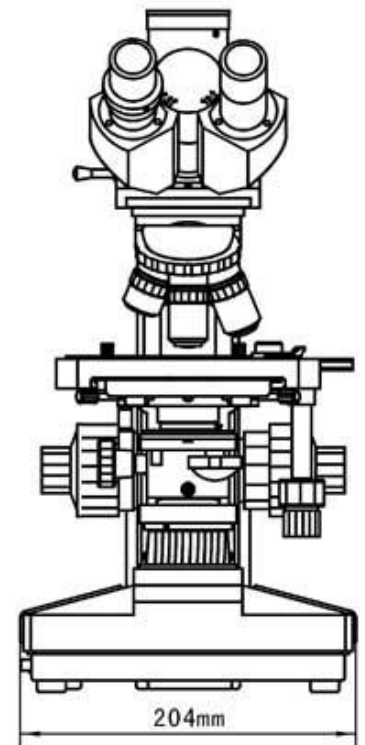
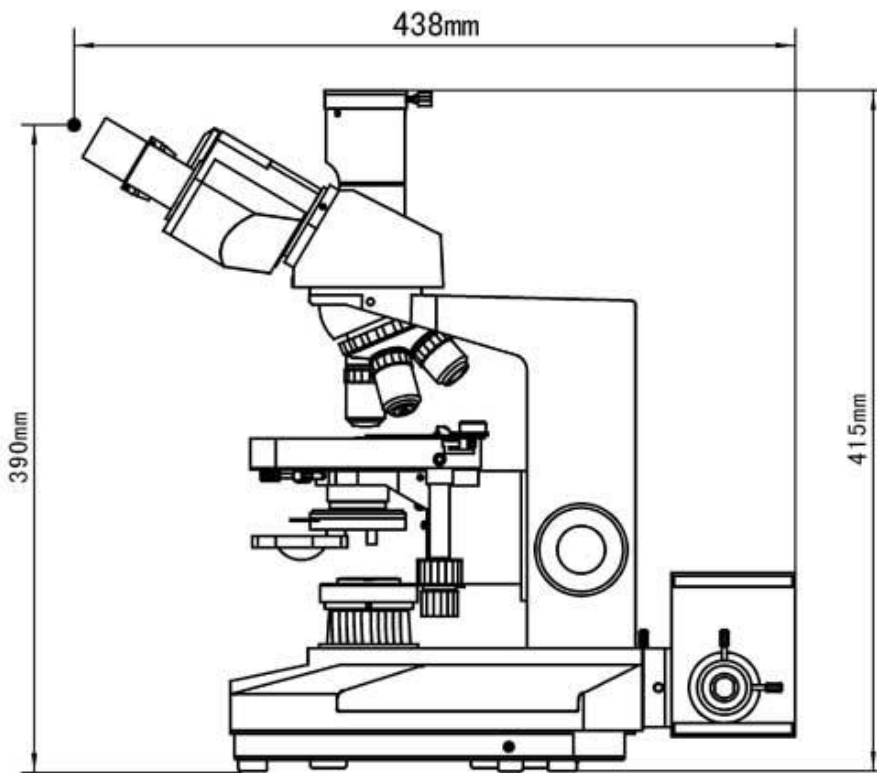
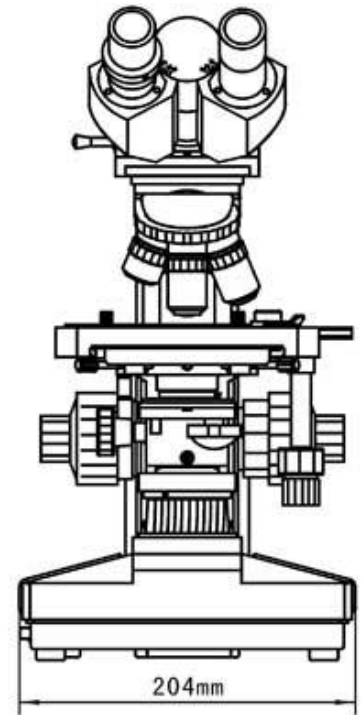
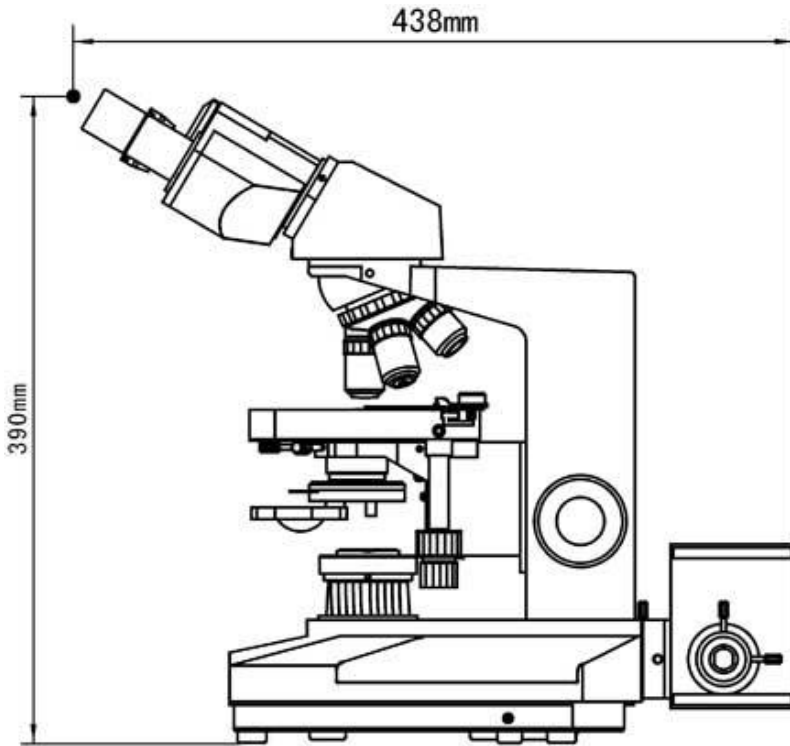
Name	Sort/Technique parameter	NO.	
Eyepiece	Wide field WF16X(Φ11mm)	1051016	
	Dividing 10X(Φ18mm) 0.1mm/Div	1121010	
Eyepiece tube	Trinocular(Inclination of 30°)	012005	
Filter	Green filter	115002	
	Yellow filter	115003	
Nosepiece	Quadruple(Backward ball bearing inner locating)	031005	
Condenser	Dark field	Dry	051001
		Immersion	051002
Phase contrast unit	Eyepiece	Centering telescope	110001
		Objectives	Phase contrast plan achromatic 10X/0.25 PHP
	Phase contrast plan achromatic 20X/0.40 PHP(Spring)		2420120
	Phase contrast plan achromatic 40X/0.65 PHP(Spring)		2420140
	Phase contrast plan achromatic 100X/1.25 PHP(Spring, oil)		2420111
	(PH- I) Turnplate phase contrast condenser	052001	
	(PH- II) Turnplate phase contrast condenser	052004	
	Flashboard phase contrast condenser	052002	
	Pull board phase contrast condenser	052003	
Infinity optical system	Eyepiece tube	Binocular(Inclination of 30°)	011103
		Trinocular(Inclination of 30°)	012103
	Eyepiece	Centering telescope	110002
	Objectives	Infinity plan achromatic 4X/0.10	2060104

		Infinity plan achromatic 10X/0.25	2060110
		Infinity plan achromatic 20X/0.40	2060120
		Infinity plan achromatic 40X/0.65(Spring)	2060140
		Infinity plan achromatic 100X/1.25(Spring, oil)	2060111
		Infinity phase contrast plan achromatic 10X/0.25 PHP	2470110
		Infinity phase contrast plan achromatic 20X/0.40 PHP	2470120
		Infinity phase contrast plan achromatic 40X/0.65 PHP(Spring)	2470140
		Infinity phase contrast plan achromatic 100X/1.25 PHP(Spring, Oil)	2470111
CCD adapter	0.4X		810001
	0.5X		810004
	1X		810002
	0.5X with dividing 0.1mm/Div		810003
Camera	DV-1(With USB & video output)		800001
	DV-2(With USB output)		800003
	DV-3(With video output)		800005
Digital camera adapter	CANON Digital camera adapter(A610,A620,A630,A640)		820001
Photograph unit	2.5X/4X Change over photograph attachment with 10X viewing eyepiece		840001
	4X Focusing photograph attachment		840002
	MD Adapter		840003
	PK Adapter		840004
Facility polarize	Polarizer(360° rotatable stage)		111001
	Analyzer		111101

System Diagram



Dimension



*Items and specification subject to change,
please contact ALLTION for current product information*

MICROSCOPES ARE OUR BUSINESS & SERVICE IS OUR PRIDE

ALLTION

(Wuzhou) Co.,Ltd.

Address: Alltion Building, No.10, 3rd Road, Wuzhou Industrial Park, Wuzhou, Guangxi, China
543000

Tel: +86-774-2836101

Fax: +86-774-2836192

E-mail: sales@alltion.com or sales@alltion-microscope.com

Web site: <http://www.alltion.com> or <http://www.alltion-microscope.com>