

L2000 Biological Microscope



L2000

L2000series biological microscopes are equipped with plan achromatic objectives and wide field eyepieces. They provide clear image, wide field, convenience operation. They can be used for biology medicine agriculture and industry area widely. They are the ideal instrument in medical treatment, teaching demonstration and scientific research.

Features

- ▲ With wide field eyepieces and plan achromatic objectives, the field of view is widely and clear
- ▲ Coaxial coarse/fine focus system, with tensional adjustable and up stop, minimum division of fine focusing: $2\mu\text{m}$
- ▲ Using Kohler illumination with 6 Volt 20 Watt Halogen lamps with brightness control.

Observation System

Binocular, Single diopter adjustment, inclined 30° , comfortable and good-looking. Trinocular can be connected to camera. 10X wide field plan eyepiece, field $\Phi 20\text{mm}$, can provide an expanse and smooth space

Stage

Double layer mechanical stage, size of $160\text{mm} \times 140\text{mm}$, move range: $75\text{mm} \times 50\text{mm}$. The design is in reason so that the operator feel easy and comfort.

Transmitted-illumination system

Outside field diaphragm, 6V20W halogen lamp, brightness adjustable. Abbe condenser NA.1.25 Rack & pinion adjustable equipped with blue filter and frosted glass.

Objective:

Magnification	N.A	W.D
WP4X	0.10	17.9mm
WP10X	0.25	8.8mm
WP40X	0.66	0.56mm Spring
WP100X	1.25	0.33mm Spring oil

Standard Configuration:

Model	L2000A	L2000B
Eyepiece	Wide field WF10X($\Phi 20\text{mm}$)	
Objective	Plan achromatic PL 4X/0.10	Plan achromatic PL 4X/0.10
	Plan achromatic PL 10X/0.25	Plan achromatic PL 10X/0.25
		Plan achromatic PL 20X/0.40
	Plan achromatic PL 40X/0.65(Spring)	Plan achromatic PL 40X/0.65(Spring)
	Plan achromatic PL 100X/1.25(Spring, oil)	Plan achromatic PL 100X/1.25(Spring, oil)
Eyepiece tube	Binocular(Inclination of 30°)	
Focus system	Coaxial coarse/fine focus, with tensional adjustable and up stop minimum division of fine focusing: $2\mu\text{m}$.	
Nosepiece	Quadruple(Backward ball bearing	Quintuple(Backward ball bearing inner

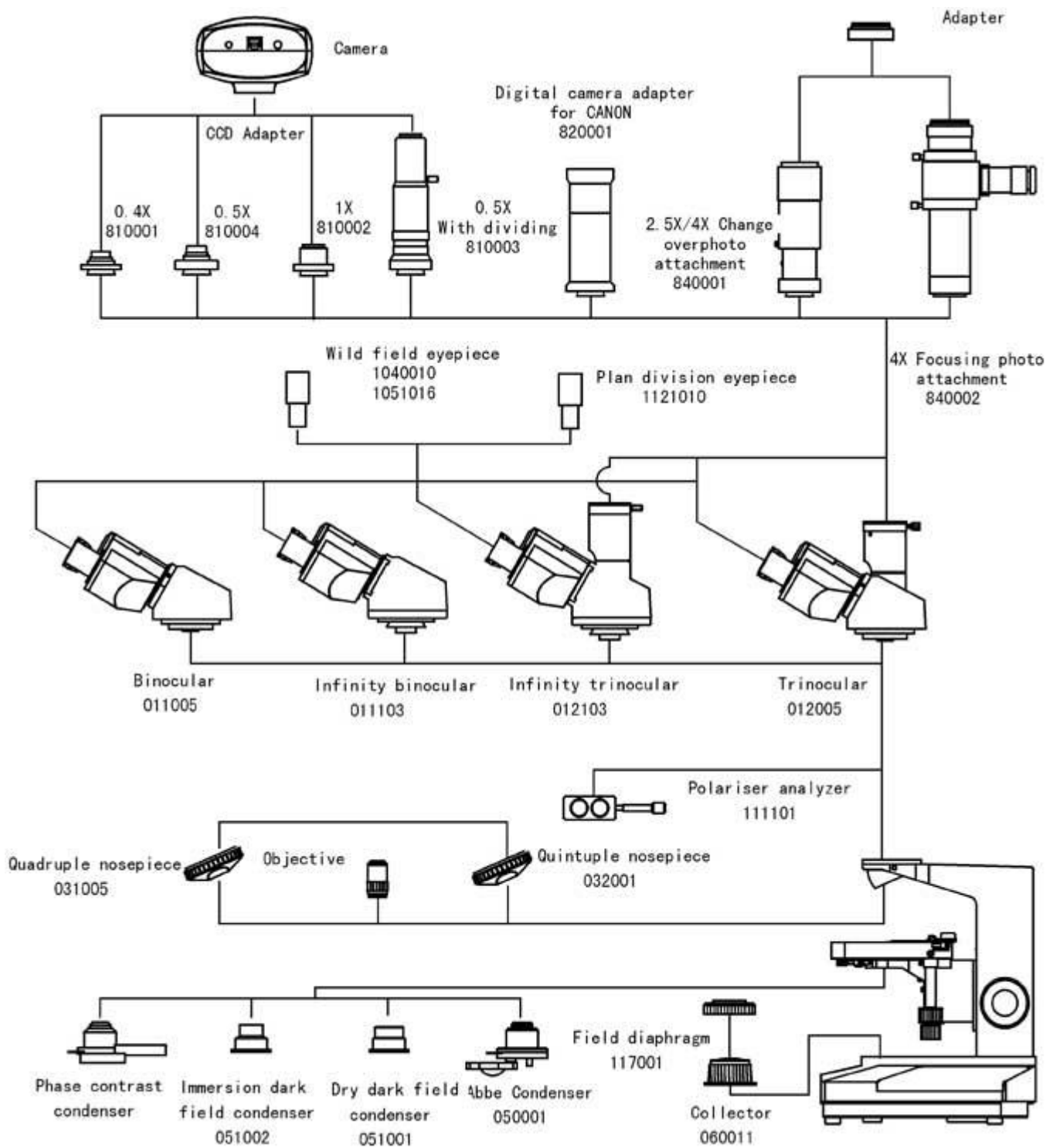
	inner locating)	locating)
Stage	Double layer mechanical (Size:160mmX140mm, Move range: 75mmX50mm)	
Abbe condenser	N.A.1.25 Rack & pinion adjustable	
Filter	Blue filter	
	Frosted filter	
Collector	For halogen lamp	
Light source	6V 20W Halogen lamp with brightness control	

Optional accessories:

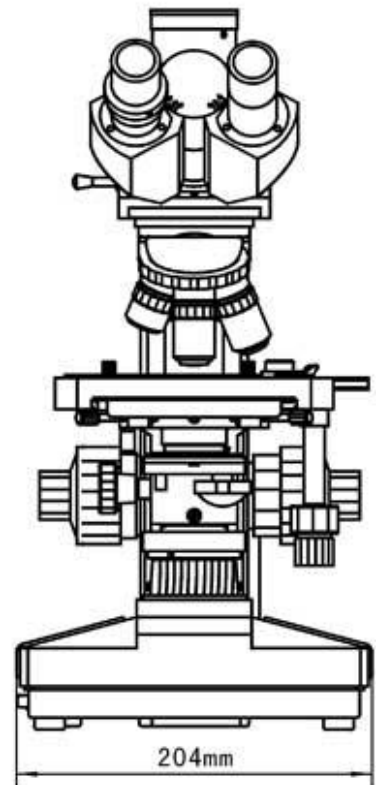
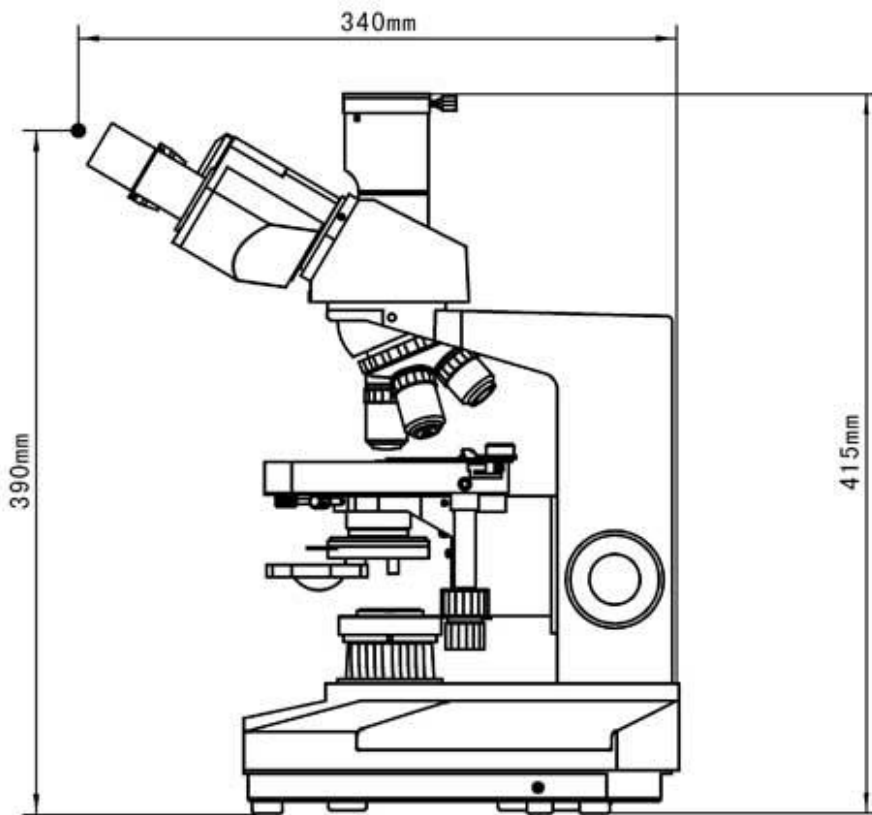
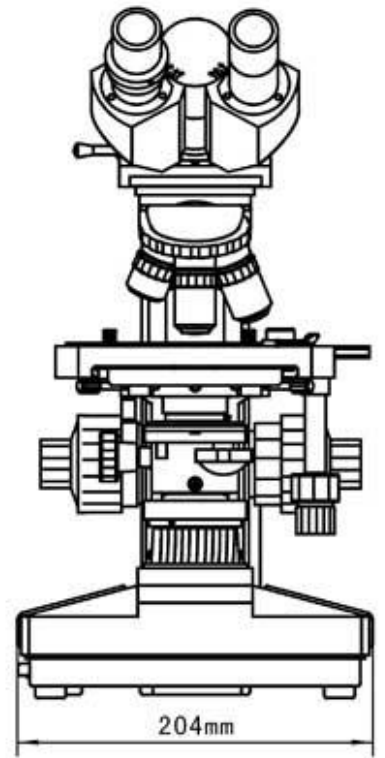
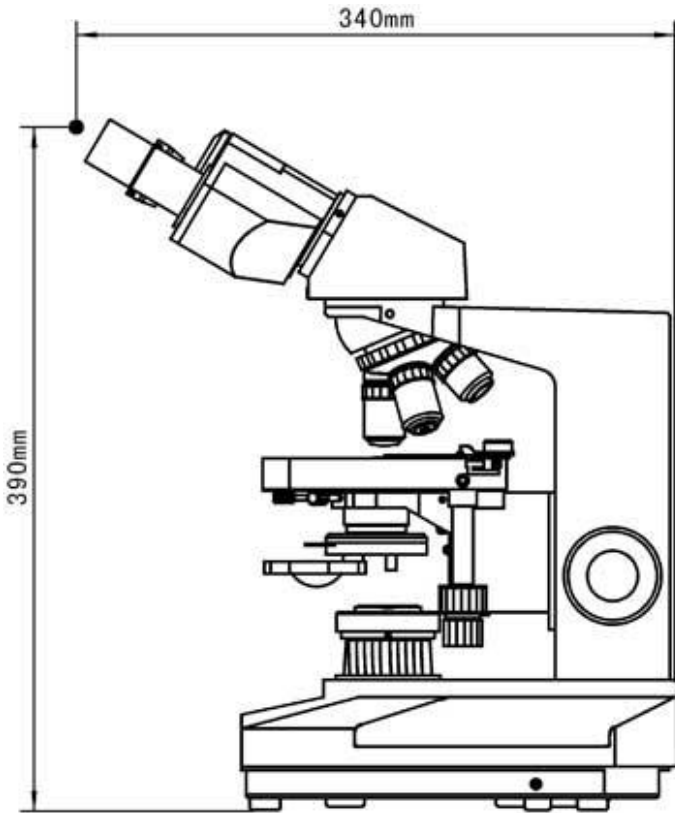
Name	Sort/Technique parameter		NO.
Eyepiece	Wide field WF16X(Φ 11mm)		1051016
	Dividing 10X(μ 20mm) 0.1mm/Div		1120010
Eyepiece tube	Trinocular (Inclination of 30°)		012005
Filter	Green filter		115002
	Yellow filter		115003
Condenser	Dark field	Dry	051001
		Immersion	051002
Phase contrast unit	Eyepiece	Centering telescope	110001
		Phase contrast plan achromatic 10X/0.25 PHP	2420110
	Objectives	Phase contrast plan achromatic 20X/0.40 PHP(Spring)	2420120
		Phase contrast plan achromatic 40X/0.65 PHP(Spring)	2420140
		Phase contrast plan achromatic 100X/1.25 PHP(Spring, oil)	2420111
		(PH-I) Turnplate phase contrast condenser	052001
	(PH-II) Turnplate phase contrast condenser	052004	
	Flashboard phase contrast condenser	052002	
	Pull board phase contrast condenser	052003	
	Infinity optical system	Eyepiece tube	Binocular (Inclination of 30°)
Trinocular (Inclination of 30°)			012103

	Eyepiece	Centering telescope	110002
	Objectives	Infinity plan achromatic 4X/0.10	2060104
		Infinity plan achromatic 10X/0.25	2060110
		Infinity plan achromatic 20X/0.40	2060120
		Infinity plan achromatic 40X/0.65(Spring)	2060140
		Infinity plan achromatic 100X/1.25(Spring, oil)	2060111
		Infinity phase contrast plan achromatic 10X/0.25 PHP	2470110
		Infinity phase contrast plan achromatic 20X/0.40 PHP	2470120
		Infinity phase contrast plan achromatic 40X/0.65 PHP(Spring)	2470140
		Infinity phase contrast plan achromatic 100X/1.25 PHP(Spring, Oil)	2470111
CCD adapter	0.4X		810001
	0.5X		810004
	1X		810002
	0.5X with dividing 0.1mm/Div		810003
Camera	DV-1(With USB & video output)		800001
	DV-2(With USB output)		800003
	DV-3(With video output)		800005
Digital camera adapter	CANON Digital camera adapter(A610,A620,A630,A640)		820001
Photograph unit	2.5X/4X Change over photograph attachment with 10X viewing eyepiece		840001
	4X Focusing photograph attachment		840002
	MD Adapter		840003
	PK Adapter		840004
Facility polarize	Polarizer(360° rotatable stage)		111001
	Analyzer		111101

Diagram



Dimensions



*Items and specification subject to change,
please contact ALLTION for current product information*

MICROSCOPES ARE OUR BUSINESS & SERVICE IS OUR PRIDE

ALLTION
(Wuzhou) Co.,Ltd.

Address: Alltion Building, NO.10, 3rd road, Wuzhou Industrial Park, Wuzhou, Guangxi, China

Tel: +86-774-2836101

Fax: +86-774-2836192

E-mail: sales@alltion.com or sales@alltion-microscope.com

Web site: <http://www.alltion.com> or <http://www.alltion-microscope.com>