

## L1800 Biological Microscope



L1800

Category: Biological Microscope

Model: L1800

Magnification: 40X--1000X

Illumination: 6V20W halogen lamp, adjustable brightness

Product Price: Advisory Service

**L1800** series biological microscopes are equipped with achromatic objectives or semi-plan achromatic, wide field eyepieces. They have clear image, wide field, beautiful sculpt, convenient operation etc. They can be used for medicine, and assay area widely. They are the ideal instruments in medical treatment, teaching demonstration and scientific research.

### Features

- ▲ With wide field eyepieces, semi-plan achromatic or achromatic objectives, the field of view is widely and clear
- ▲ Coaxial coarse/fine focus system, with tensional adjustable and up stop, minimum division of fine focusing: 2 $\mu$ m
- ▲ 6Volt 20Watt Halogen lamp with brightness control

## Standard Configuration

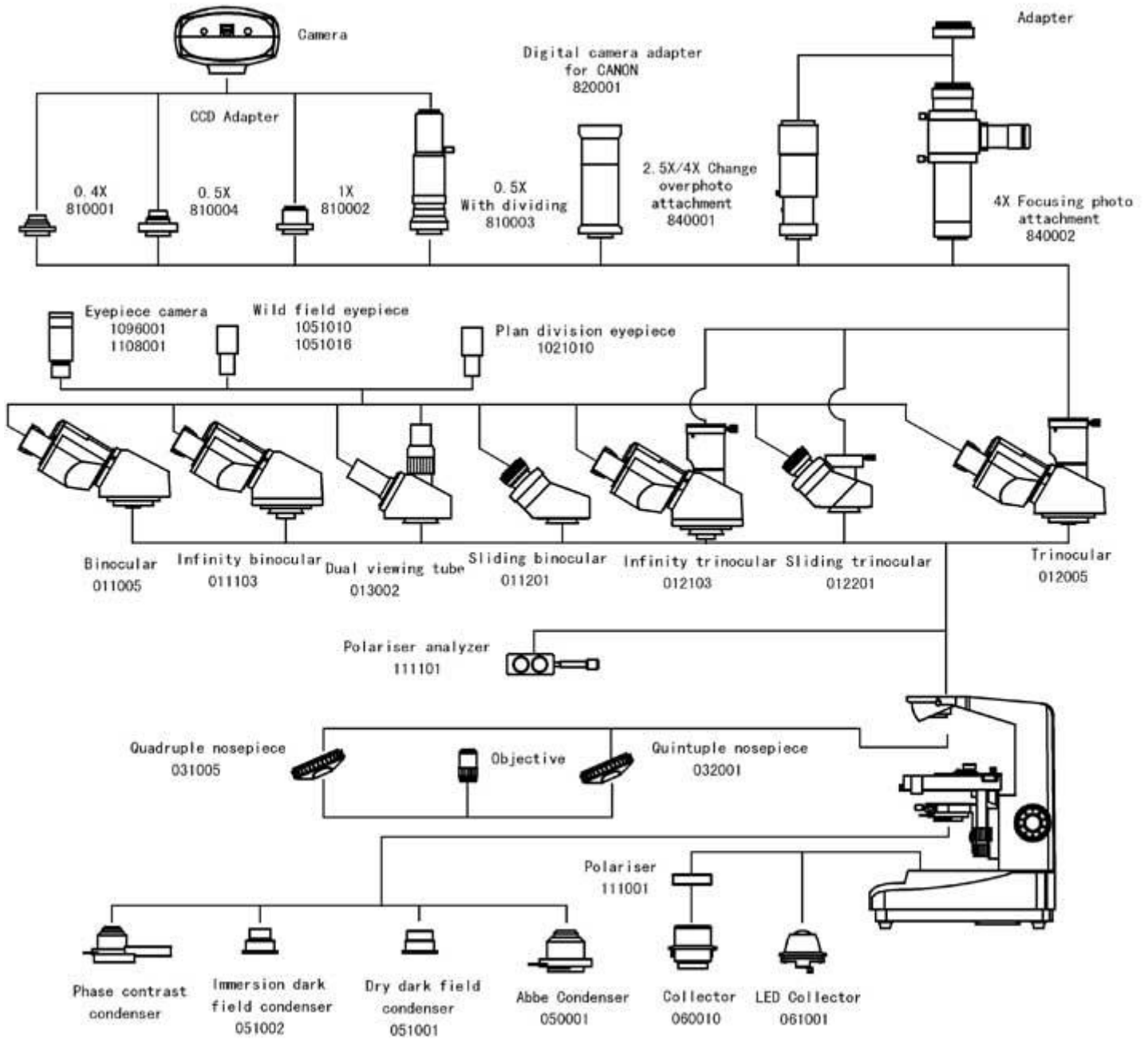
Model	L1800A	L1800B
Eyepiece	Wide field WF10X( $\Phi$ 18mm)	
Objective	Achromatic 4X/0.10	Semi-plan achromatic 4X/0.10
	Achromatic 10X/0.25	Semi-plan achromatic 10X/0.25
	Achromatic 40X/0.65(Spring)	Semi-plan achromatic 40X/0.65(Spring)
	Achromatic 100X/1.25(Spring, oil)	Semi-plan achromatic 100X/1.25(Spring, oil)
Eyepiece tube	Binocular(Inclination of 30°)	
Focus system	Coaxial coarse/fine focus, with tension adjustable and up stop minimum division of fine focusing: 2 $\mu$ m.	
Nosepiece	Quadruple(Backward ball bearing inner locating)	
Stage	Double layer mechanical (Size:160mmX140mm, Move range: 75mmX50mm)	
Abbe condenser	N.A.1.25 Rack & pinion adjustable	
Filter	Blue filter	
	Frosted filter	
Collector	For halogen lamp	
Light source	6V 20W Halogen lamp with brightness control	

## Optional accessories

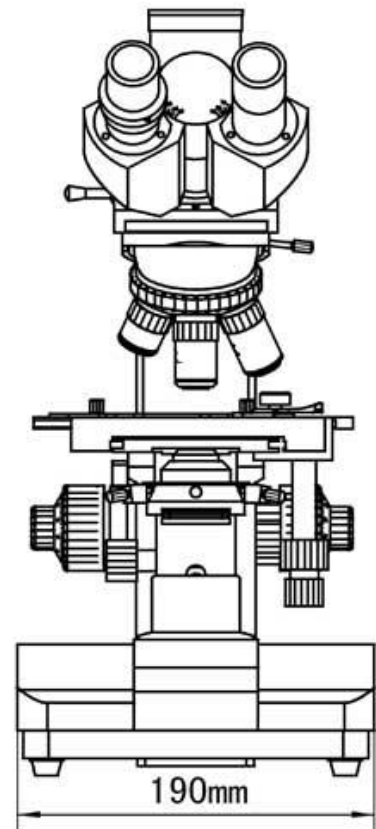
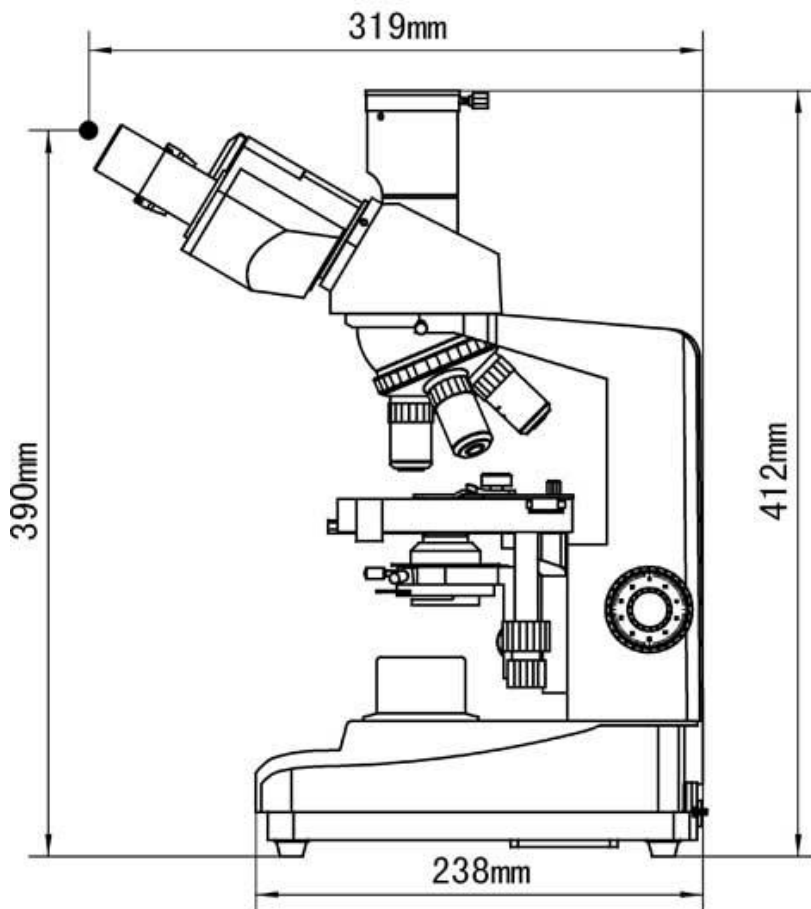
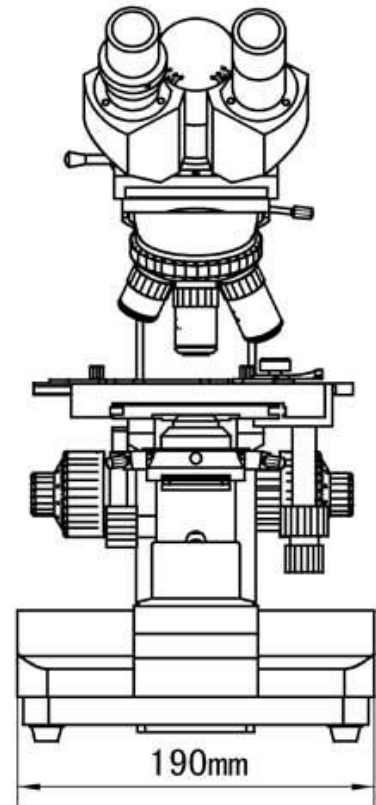
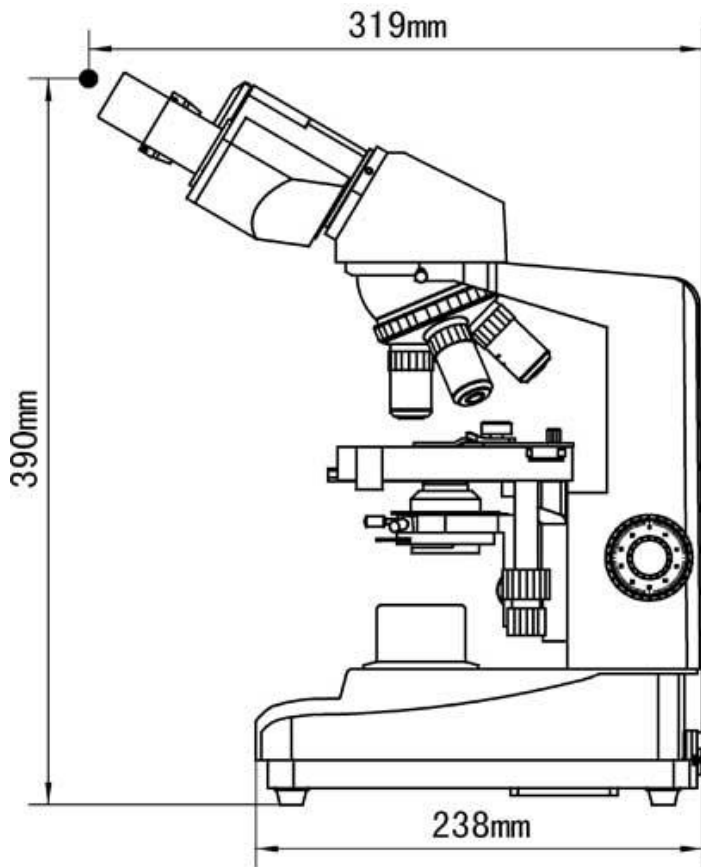
Name	Sort/Technique parameter	NO.	
Eyepiece	Wide field WF16X( $\Phi$ 11mm)	1051016	
	Dividing 10X( $\Phi$ 18mm) 0.1mm/Div	1021010	
Objective	Plan achromatic 4X/0.10	2040104	
	Plan achromatic 5X/0.12	2040105	
	Plan achromatic 10X/0.25	2040110	
	Plan achromatic 20X/0.40	2040120	
	Plan achromatic 40X/0.65(Spring)	2040140	
	Plan achromatic 60X/0.85(Spring)	2040160	
	Plan achromatic 100X/1.25(Spring, oil)	2040111	
Eyepiece tube	Binocular, Sliding(Inclination of 45°)	011201	
	Trinocular, Sliding(Inclination of 45°)	012201	
	Trinocular (Inclination of 30°)	012005	
	Dual viewing tube (Inclination of 30°)	013002	
Nosepiece	Quintuple(Backward ball bearing inner locating)	032001	
Filter	Green filter	115002	
	Yellow filter	115003	
Light source	LED Collector	Bright and white light	073009
Condenser	Dark field	Dry	051001
		Immersion	051002
Phase contrast unit	Eyepiece	Centering telescope	110001
	Objectives	Phase contrast plan achromatic 10X/0.25 PHP	2420110
		Phase contrast plan achromatic 20X/0.40 PHP	2420120
		Phase contrast plan achromatic 40X/0.65 PHP(Spring)	2420140

		Phase contrast plan achromatic 100X/1.25 PHP(Spring, oil)	2420111
		(PH- I ) Turnplate phase contrast condenser	052001
		(PH- II ) Turnplate phase contrast condenser	052004
		Flashboard phase contrast condenser	052002
		Pull board phase contrast condenser	052003
Infinity optical system	Eyepiece tube	Binocular (Inclination of 30°)	011103
		Trinocular (Inclination of 30°)	012103
	Eyepiece	Centering telescope	110002
	Objectives	Infinity plan achromatic 4X/0.10	2060104
		Infinity plan achromatic 10X/0.25	2060110
		Infinity plan achromatic 20X/0.40	2060120
		Infinity plan achromatic 40X/0.65(Spring)	2060140
		Infinity plan achromatic 100X/1.25(Spring, oil)	2060111
		Infinity phase contrast plan achromatic 10X/0.25 PHP	2470110
		Infinity phase contrast plan achromatic 20X/0.40 PHP	2470120
		Infinity phase contrast plan achromatic 40X/0.65 PHP(Spring)	2470140
		Infinity phase contrast plan achromatic 100X/1.25 PHP(Spring, Oil)	2470111
CCD adapter	0.4X		810001
	0.5X		810004
	1X		810002
	0.5X with dividing 0.1mm/Div		810003
Camera	DV-1(With USB & video output)		800001
	DV-2(With USB output)		800003
	DV-3(With video output)		800005
	Photography	USB Output	1096001
		VIDEO Output	1108001
Digital camera adapter	CANON Digital camera adapter(A610,A620,A630,A640)		820001
Photograph unit	2.5X/4X Change over photograph attachment with 10X viewing eyepiece		840001
	4X Focusing photograph attachment		840002
	MD Adapter		840003
	PK Adapter		840004
Facility polarize	Polarizer(360° rotatable stage)		111001
	Analyzer		111101
Adapter	Input: 230V <sub>i</sub> «50/60HZ Output: 9V 500mA		101001
	Input: 110V <sub>i</sub> «50/60HZ Output: 9V 500mA		101002

# Diagram



## Dimension



*Items and specification subject to change,  
please contact ALLTION for current product information*

MICROSCOPES ARE OUR BUSINESS & SERVICE IS OUR PRIDE

# ALLTION

(Wuzhou) Co.,Ltd.

Address: Alltion Building, NO. 10, 3<sup>rd</sup> Road, Wuzhou Industrial park, Wuzhou, Guangxi, China 543000

Tel: +86-774-2836101

Fax: +86-774-2836192

E-mail: [sales@alltion.com](mailto:sales@alltion.com) or [sales@alltion-microscope.com](mailto:sales@alltion-microscope.com)

Web site: <http://www.alltion.com> or <http://www.alltion-microscope.com>