

## L1600 Biological Microscope



### L1600

**L1600** series biological microscopes are equipped with achromatic objectives or semi-plan achromatic and wide field eyepieces. They provide clear image and wide field. They can be used for biology medicine and agriculture area widely. They are the ideal instruments in medical treatment and scientific research.

#### Features

- ▲ With wide field eyepieces, achromatic objectives or semi-plan achromatic, the field of view is widely and clear
- ▲ Coaxial coarse/fine focus system, with tensional adjustable and up stop, minimum division of fine focusing:  $2\ \mu\text{m}$
- ▲ 6 Volt 20 Watt Halogen lamps with brightness control.

## Standard Configuration

Model	L1600A	L1600B
Eyepiece	Wide field WF10X( $\phi$ 18mm)	
Objective	Achromatic 4X/0.10	Semi-plan achromatic 4X/0.10
	Achromatic 10X/0.25	Semi-plan achromatic 10X/0.25
	Achromatic 40X/0.65(Spring)	Semi-plan achromatic 40X/0.65(Spring)
	Achromatic 100X/1.25(Spring, oil)	Semi-plan achromatic 100X/1.25(Spring, oil)
Eyepiece tube	Binocular(Inclination of 30°)	
Focus system	Coaxial coarse/fine focus, with tensional adjustable and up stop minimum division of fine focusing: 2 $\mu$ m.	
Nosepiece	Quadruple(Frontward ball bearing inner locating)	
Stage	Double-layer mechanical (Size:135mmX125mm, Move range: 75mmX35mm)	
Abbe condenser	N.A.1.25 Rack & pinion adjustable	
Filter	Blue filter	
	Frosted filter	
Collector	For halogen lamp	
Light source	6V 20W Halogen lamp with brightness control	

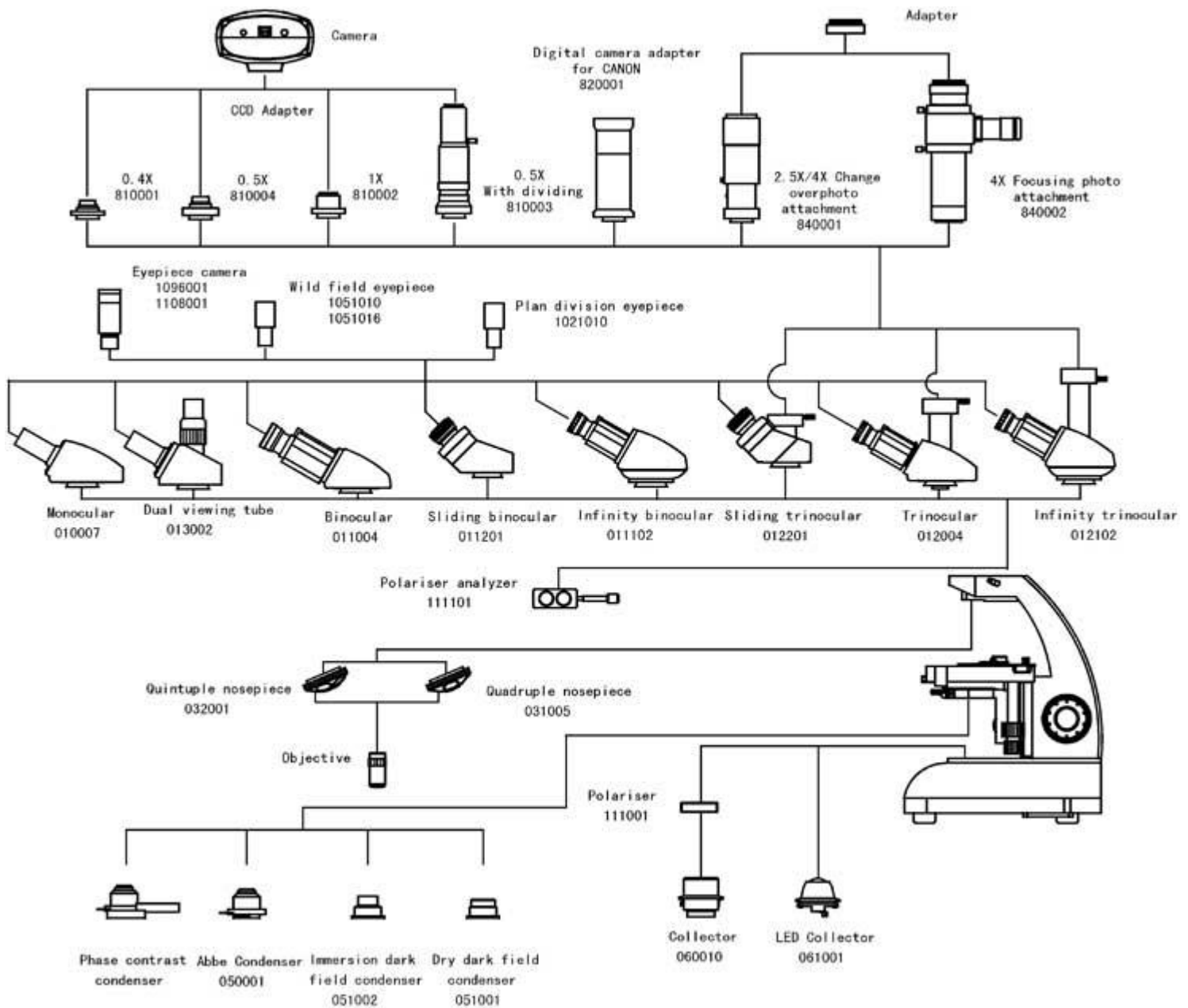
## Optional accessories

Name	Sort/Technique parameter	NO.	
Eyepiece	Wide field WF16X( $\phi$ 11mm)	1051016	
	Dividing 10X( $\phi$ 18mm) 0.1mm/Div	1021010	
Objective	Plan achromatic 4X/0.10	2040104	
	Plan achromatic 5X/0.12	2040105	
	Plan achromatic 10X/0.25	2040110	
	Plan achromatic 20X/0.40	2040120	
	Plan achromatic 40X/0.65(Spring)	2040140	
	Plan achromatic 60X/0.85(Spring)	2040160	
	Plan achromatic 100X/1.25(Spring, oil)	2040111	
Eyepiece tube	Monocular (Inclination of 30°)	010007	
	Binocular, Sliding(Inclination of 45°)	011201	
	Trinocular, Sliding(Inclination of 45°)	012201	
	Trinocular(Inclination of 30°)	012004	
	Dual viewing tube (Inclination of 30°)	013002	
Nosepiece	Quintuple (Frontward ball bearing inner locating)	032001	
Filter	Green filter	115002	
	Yellow filter	115003	
Light source	LED Collector Bright and white light	073008	
Condenser	Dark field Dry	051001	
	Immersion	051002	
Phase contrast unit	Eyepiece Centering telescope	110001	
	Objectives	Phase contrast plan achromatic 10X/0.25 PHP	2420110
		Phase contrast plan achromatic 20X/0.40	2420120

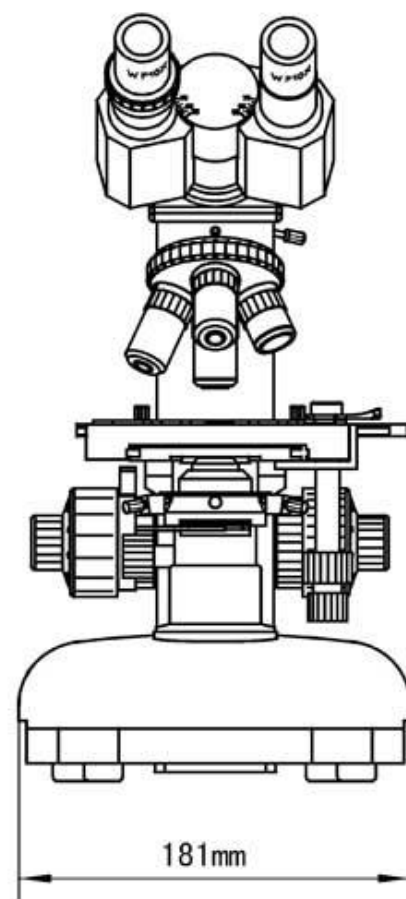
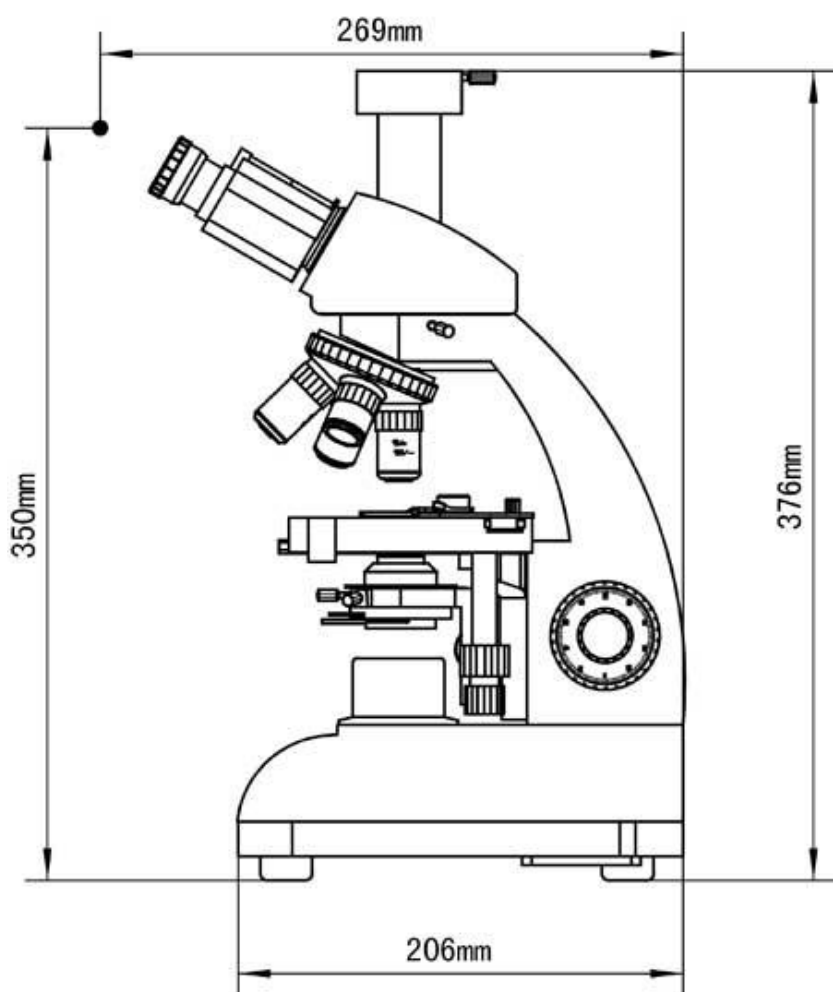
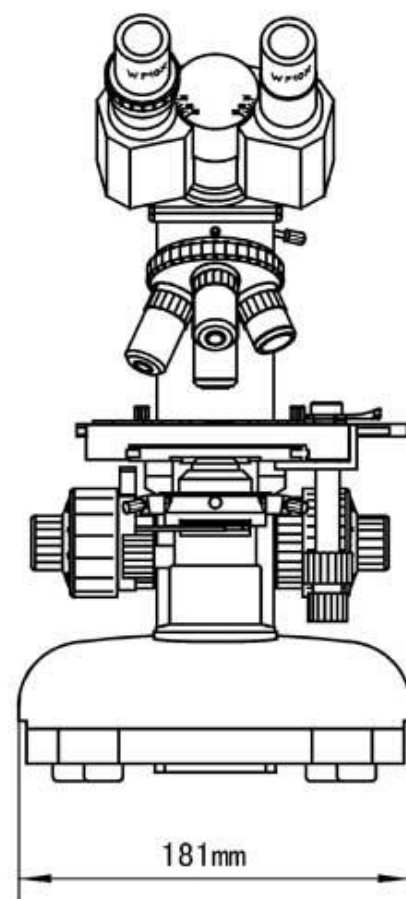
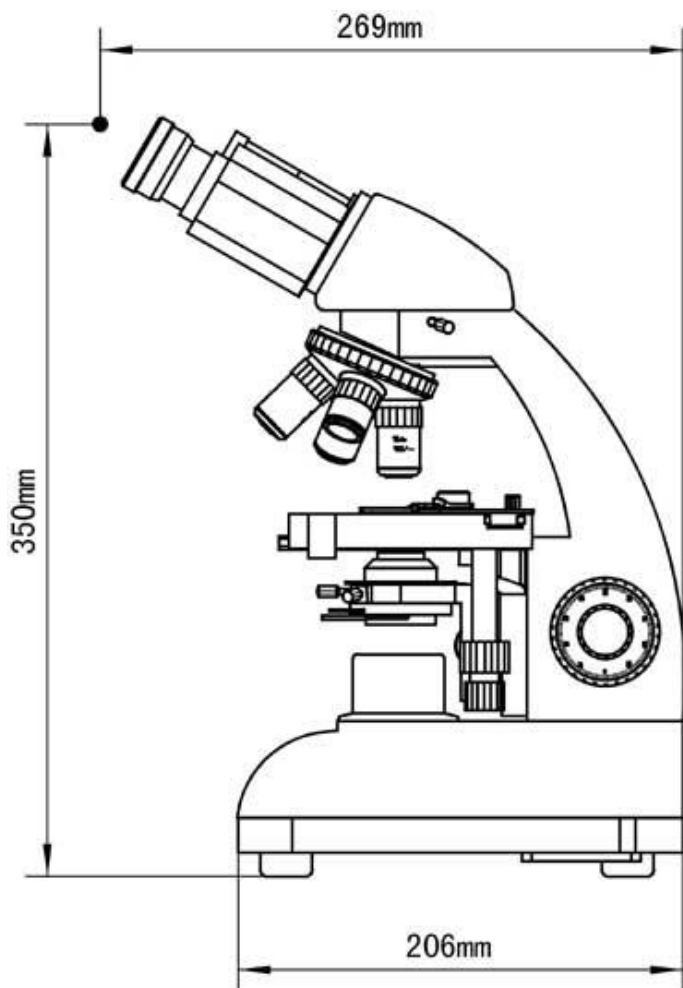
		PHP	
		Phase contrast plan achromatic 40X/0.65 PHP(Spring)	2420140
		Phase contrast plan achromatic 100X/1.25 PHP(Spring, oil)	2420111
		(PH- $\phi\tilde{n}$ ) Turnplate phase contrast condenser	052001
		(PH- $\phi\delta$ ) Turnplate phase contrast condenser	052004
		Flashboard phase contrast condenser	052002
		Pull board phase contrast condenser	052003
Infinity optical system	Eyepiece tube	Binocular (Inclination of 30°)	011102
		Trinocular( Inclination of 30°)	012102
	Eyepiece	Centering telescope	110002
	Objectives	Infinity plan achromatic 4X/0.10	2060104
		Infinity plan achromatic 10X/0.25	2060110
		Infinity plan achromatic 20X/0.40	2060120
		Infinity plan achromatic 40X/0.65(Spring)	2060140
		Infinity plan achromatic 100X/1.25(Spring, oil)	2060111
		Infinity phase contrast plan achromatic 10X/0.25 PHP	2470110
		Infinity phase contrast plan achromatic 20X/0.40 PHP	2470120
			2470140
		2470111	
CCD adapter			810001
			810004
			810002
			810003
Camera			800001
			800003
			800005
			1096001
			1108001
	Infinity phase contrast plan achromatic 40X/0.65 PHP(Spring)		820001
0.4X 0.5X 1X	Infinity phase contrast plan achromatic 100X/1.25 PHP(Spring, Oil)		840001
			840002
			840003
			840004
0.5X with dividing 0.1mm/Div DV-1(With USB & video output)	Analyzer		111001
DV-2(With USB output)	Input: 230V <sub>j</sub> «50/60HZ      Output: 9V    500mA		101001
DV-3(With video output)	Input: 110V <sub>j</sub> «50/60HZ      Output: 9V    500mA		101002
Photography	USB Output		
	VIDEO Output		

CANON Digital camera adapter (A610, A620, A630, A640)		
2.5X/4X Change over photograph attachment with 10X viewing eyepiece		
4X Focusing photograph attachment		
MD Adapter		
PK Adapter		
Polarizer(360° rotatable stage)		

### System Diagram



### Dimension



MICROSCOPES ARE OUR BUSINESS & SERVICE IS OUR PRIDE

# ALLTION

(Wuzhou) Co.,Ltd.

Address: Alltion Building, NO. 10, 3<sup>rd</sup> Road, Wuzhou Industrial park, Wuzhou, Guangxi, China 543000

Tel: +86-774-2836101

Fax: +86-774-2836192

E-mail: [sales@alltion.com](mailto:sales@alltion.com) or [sales@alltion-microscope.com](mailto:sales@alltion-microscope.com)

Web site: <http://www.alltion.com> or <http://www.alltion-microscope.com>