

L1500 Biological Microscope



L1500

L1500 series biological microscopes are equipped with achromatic objectives and wide field eyepieces. They have clear image and wide view fieldthrough optical system. They can be broadly applied in biology medicine, agriculture etc. They are the ideal instruments for medical treatment, teachingand scientific research.

Features

- ▲ With wide field eyepieces and achromatic objectives, the field of view is widely and clear
- ▲ Coaxial coarse/fine focus system, with tensional adjustable and up stop, minimum division of fine focusing: 2 μ m
- ▲ 6 Volt 20 Watt Halogen lamps with brightness control

Standard Configuration:

Model	L1500
Eyepiece	Wide field WF10X(Φ 18mm)

Objective	Achromatic 4X/0.10
	Achromatic 10X/0.25
	Achromatic 40X/0.65(Spring)
	Achromatic 100X/1.25(Spring, oil)
Eyepiece tube	Binocular(Inclination of 30°)
Focus system	Coaxial coarse/fine focus, with tensional adjustable and up stop, minimum division of fine focusing: 2μm.
Nosepiece	Quadruple(Backward ball bearing inner locating)
Stage	Double layer mechanical (Size:135mmX125mm, Move range: 75mmX35mm)
Abbe condenser	N.A.1.25 Rack & pinion adjustable
Filter	Blue filter
	Frosted filter
Collector	For halogen lamp
Light source	6V 20W Halogen lamp with brightness control

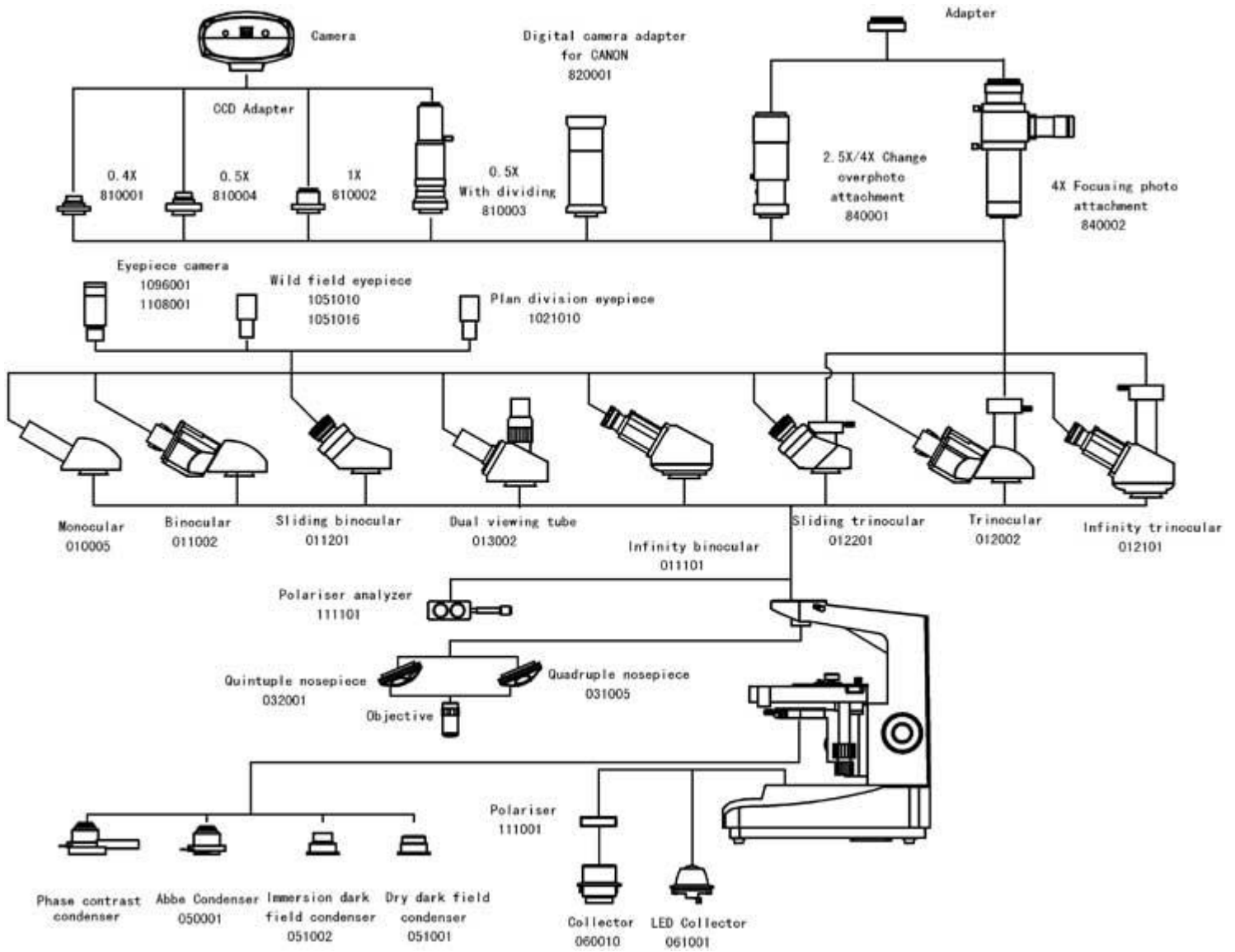
Optional accessories:

Name	Sort/Technique parameter	NO.
Eyepiece	Wide field WF16X(Φ11mm)	1051016
	Dividing 10X(Φ18mm) 0.1mm/Div	1021010
Objective	Plan achromatic 4X/0.10	2040104
	Plan achromatic 5X/0.12	2040105
	Plan achromatic 10X/0.25	2040110
	Plan achromatic 20X/0.40	2040120
	Plan achromatic 40X/0.65(Spring)	2040140
	Plan achromatic 60X/0.85(Spring)	2040160
	Plan achromatic 100X/1.25(Spring, oil)	2040111
Eyepiece tube	Monocular(Inclination of 30°)	010005
	Binocular, Sliding(Inclination of 45°)	011201
	Trinocular, Sliding(Inclination of 45°)	012201
	Trinocular(Inclination of 30°)	012002
	Dual viewing tube(Inclination of 30°)	013002
Nosepiece	Quintuple(Backward ball bearing inner locating)	032001

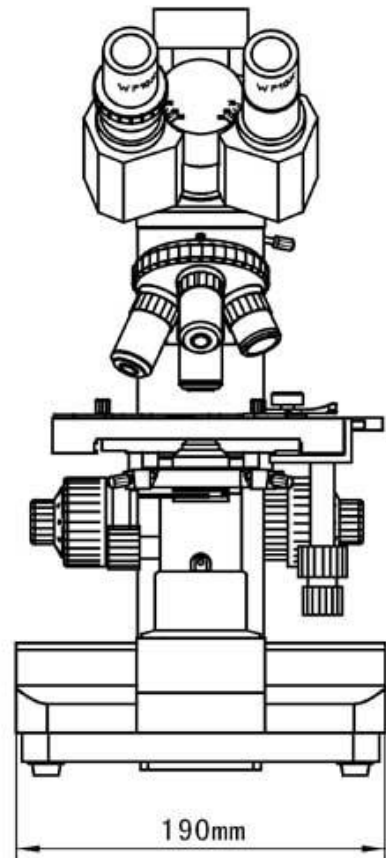
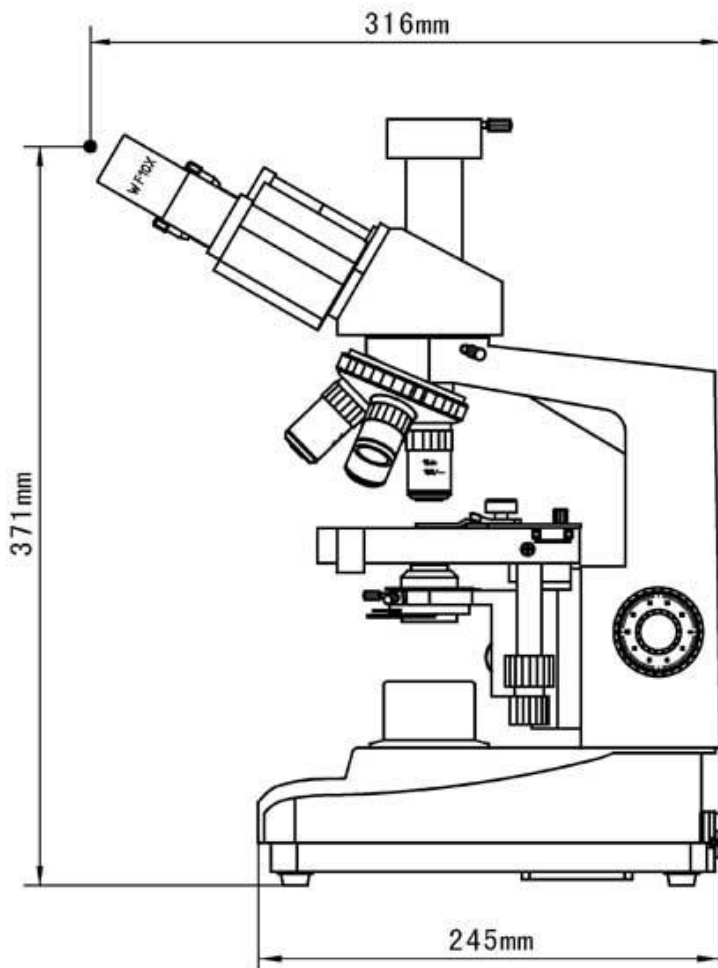
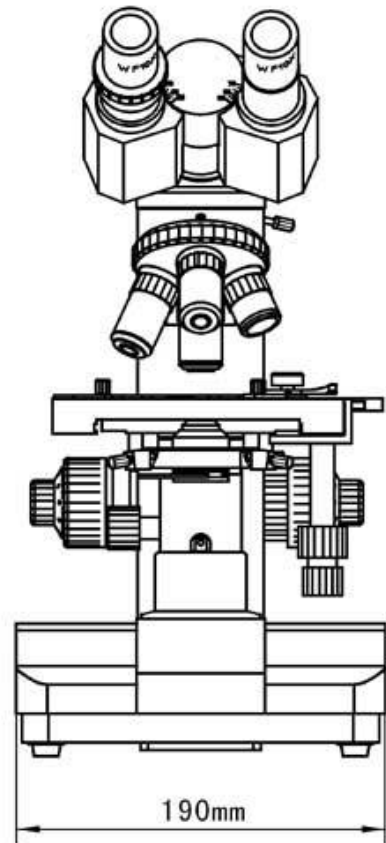
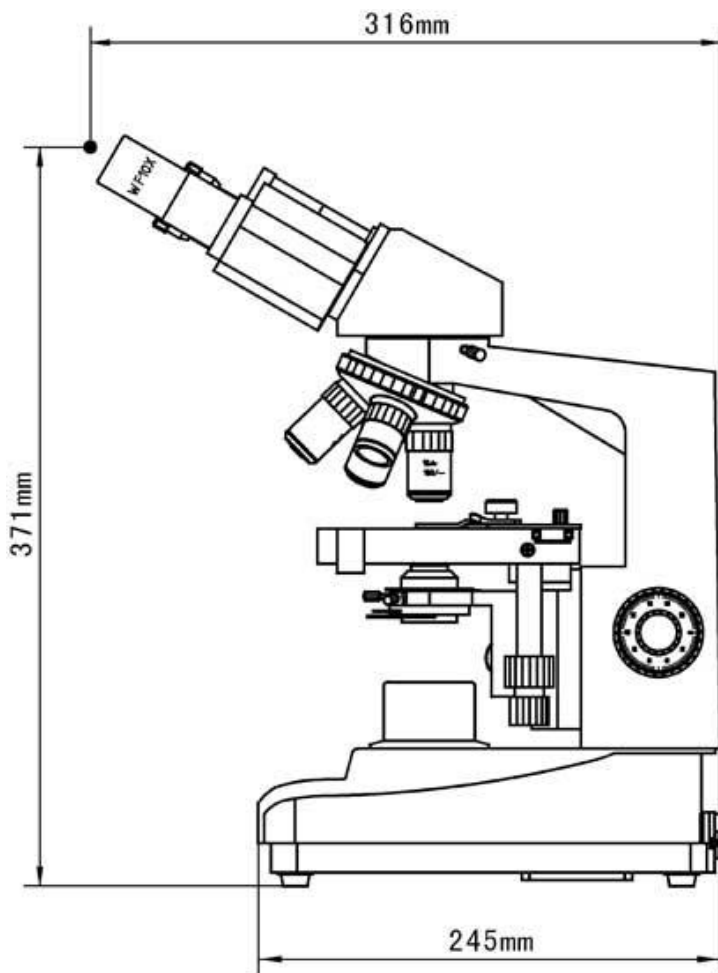
Filter	Green filter		115002
	Yellow filter		115003
Light source	LED Collector	Bright and white light	073009
Condenser	Dark field	Dry	051001
		Immersion	051002
Phase contrast unit	Eyepiece	Centering telescope	110001
		Objectives	Phase contrast plan achromatic 10X/0.25 PHP
	Phase contrast plan achromatic 20X/0.40 PHP		2420120
	Phase contrast plan achromatic 40X/0.65 PHP(Spring)		2420140
	Phase contrast plan achromatic 100X/1.25 PHP(Spring, oil)		2420111
	(PH- $\phi\tilde{n}$) Turnplate phase contrast condenser		052001
	(PH- $\phi\tilde{o}$) Turnplate phase contrast condenser		052004
	Flashboard phase contrast condenser		052002
	Pull board phase contrast condenser		052003
Infinity optical system	Eyepiece tube	Binocular (Inclination of 30°)	011101
		Trinocular (Inclination of 30°)	012101
	Eyepiece	Centering telescope	110002
		Objectives	Infinity plan achromatic 4X/0.10
	Infinity plan achromatic 10X/0.25		2060110
	Infinity plan achromatic 20X/0.40		2060120
	Infinity plan achromatic 40X/0.65(Spring)		2060140
	Infinity plan achromatic 100X/1.25(Spring, oil)		2060111
	Infinity phase contrast plan achromatic 10X/0.25 PHP		2470110
	Infinity phase contrast plan achromatic 20X/0.40 PHP		2470120
	Infinity phase contrast plan achromatic 40X/0.65 PHP(Spring)		2470140
	Infinity phase contrast plan achromatic 100X/1.25 PHP(Spring, Oil)		2470111
	CCD adapter	0.4X	
0.5X		810004	
1X		810002	

	0.5X with dividing 0.1mm/Div	810003	
Camera	DV-1(With USB & video output)	800001	
	DV-2(With USB output)	800003	
	DV-3(With video output)	800005	
	Photography	USB Output	1096001
		VIDEO Output	1108001
Digital camera adapter	CANON Digital camera adapter(A610,A620,A630,A640)	820001	
Photograph unit	2.5X/4X Change over photograph attachment with 10X viewing eyepiece	840001	
	4X Focusing photograph attachment	840002	
	MD Adapter	840003	
	PK Adatper	840004	
Facility polarize	Polarizer(360° rotatable stage)	111001	
	Analyzer	111101	
Adapter(For LED illumination)	Input: 230V _i «50/60HZ Output: 9V 500mA	101001	
	Input: 110V _i «50/60HZ Output: 9V 500mA	101002	

Diagram



Dimensions



*Items and specification subject to change,
please contact ALLTION for current product information*

MICROSCOPES ARE OUR BUSINESS & SERVICE IS OUR PRIDE

ALLTION
(Wuzhou) Co.,Ltd.

Address: Alltion Building, NO.10, 3rd road, Wuzhou Industrial Park, Wuzhou, Guangxi, China

Tel: +86-774-2836101

Fax: +86-774-2836192

E-mail: sales@alltion.com or sales@alltion-microscope.com

Web site: <http://www.alltion.com> or <http://www.alltion-microscope.com>