

## L1100 Biological Microscope



### L1100

**L1100 series biological microscopes are equipped with achromatic objectives and wide field eyepieces. They have clear image and wide view field. They can be used for biology, medicine, and agriculture and industry area widely. They are the ideal instruments in medical treatment, teaching demonstration and scientific research**

#### Features

- ▲ With wide field eyepieces and achromatic objectives, the field of view is widely and clear
- ▲ L1100A:Coaxial coarse/fine focus system; L1100B:Coaxial coarse/fine focus system with tensional adjustable and up stop, minimum division of fine focusing: 2 $\mu$ m
- ▲ 6Volt 20Watt Halogen lamp with brightness control

#### Standard Configuration

Model	L1100A	L1100B
Eyepiece	Wide field WF10X( $\Phi$ 18mm)	
	Wide field WF16X( $\Phi$ 11mm)	
Objective	Achromatic 4X/0.10	Achromatic 4X/0.10
	Achromatic 10X/0.25	Achromatic 10X/0.25
	Achromatic 40X/0.65(Spring)	Achromatic 40X/0.65(Spring)

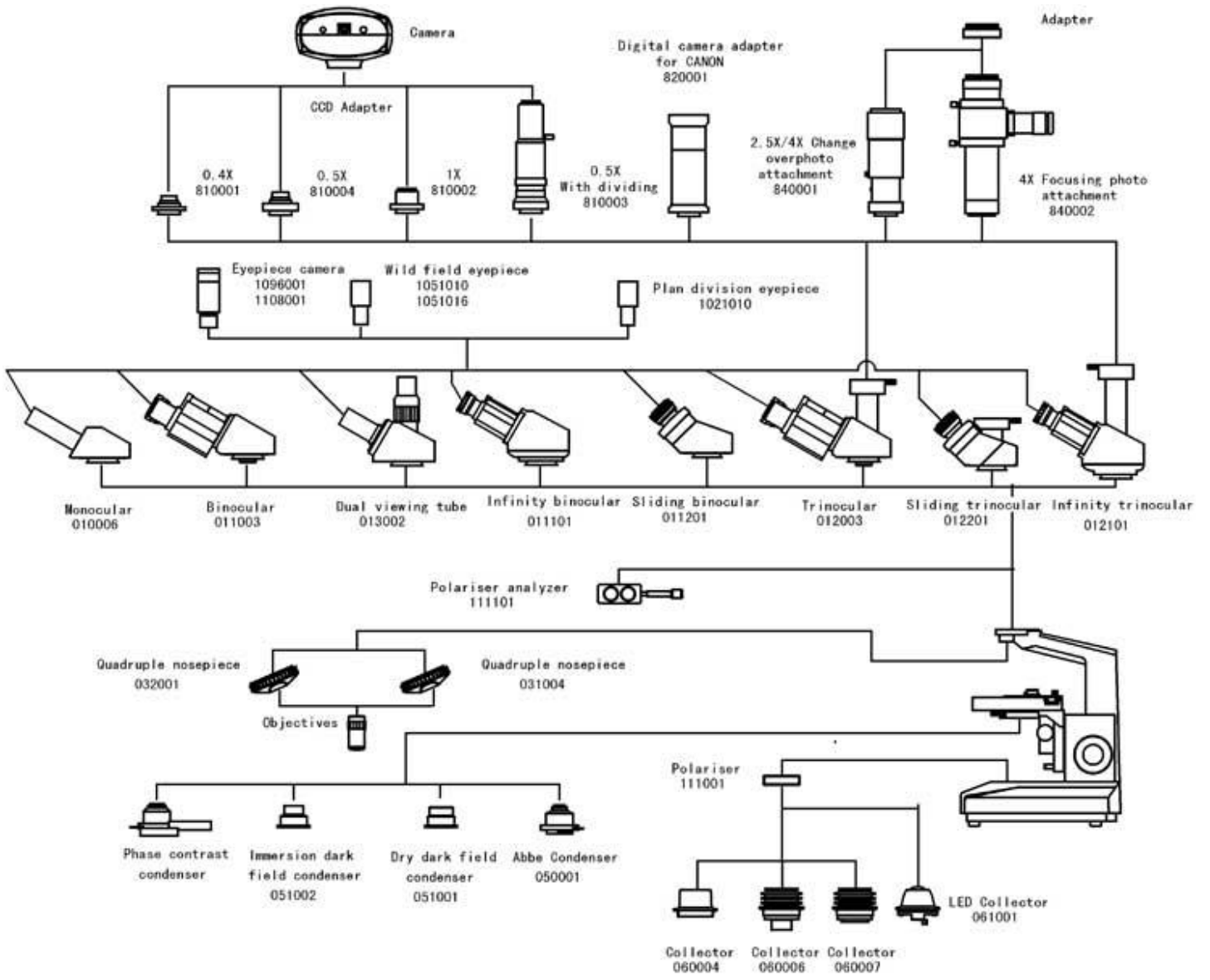
	Achromatic 100X/1.25(Spring, oil)	Achromatic 100X/1.25(Spring, oil)
Eyepiece tube	Binocular(Inclination of 30°)	
Focus system	Coaxial coarse/fine focus system. Minimum division of fine focusing: 2µm	Coaxial coarse/fine focus minimum division of fine focusing: 2µm, with tensional adjustable and limit stopper, base bearing black plastic cap
Nosepiece	Quadruple(Frontward ball bearing inner locating)	
Stage	Double layer mechanical ( Size:135mmX125mm, Move range: 75mmX35mm)	
Abbe condenser	N.A.1.25 Rack & pinion adjustable	
Filter	Blue filter	
	Frosted filter	
Collector	For halogen lamp	For halogen lamp
Light source	6Volt 20Watt Halogen lamp with brightness control	

### Optional accessories

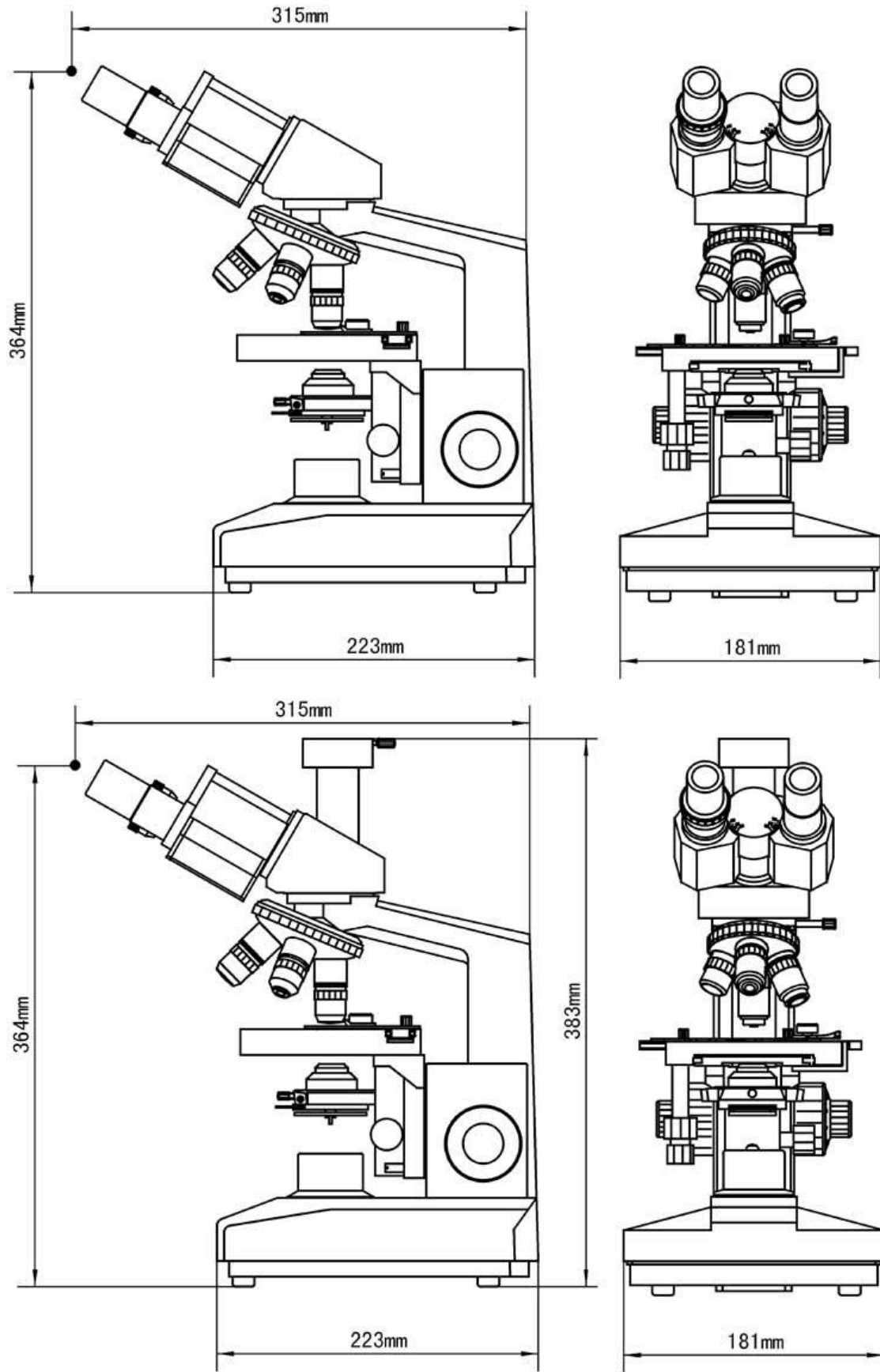
Name	Sort/Technique parameter		NO.
Eyepiece	10XDividing, 10X dividing eyepiece 0.1mm/Div		1021010
Objective	Semi-plan achromatic SP 4X/0.10		2030104
	Semi-plan achromatic SP 10X/0.25		2030110
	Semi-plan achromatic SP 20X/0.40		2030120
	Semi-plan achromatic SP 40X/0.65(Spring)		2030140
	Semi-plan achromatic SP 100X/1.25(Spring, oil)		2030111
Eyepiece tube	Monocular (Inclination of 30°)		010006
	Binocular(Sliding) (Inclination of 45°)		011201
	Trinocular(Sliding) (Inclination of 45°)		012201
	Trinocular (Inclination of 30°)		012003
	Dual viewing tube(Inclination of 30°)		013002
Nosepiece	Quintuple(Frontward ball bearing inner locating)		032001
Filter	Green filter		115002
	Yellow filter		115003
Light source	LED Collector	High brightness white	073006
Condenser	Dark field	Dry	051001
		Immersion	051002
Phase contrast unit	Eyepiece	Centering telescope	110001
	Objectives	Phase contrast achromatic 10X/0.25 PHP	2410110
		Phase contrast achromatic 20X/0.40 PHP(Spring)	2410120
		Phase contrast achromatic 40X/0.65 PHP(Spring)	2410140
		Phase contrast achromatic 100X/1.25 PHP(Spring, oil)	2410111
	(PH- I ) Turnplate phase contrast condenser		052001
	(PH- II) Turnplate phase contrast condenser		052004
	Flashboard phase contrast condenser		052002
	Pull board phase contrast condenser		052003
Infinity optical system	Eyepiece tube	Binocular(Inclination of 30°)	011101
		Trinocular(Inclination of 30°)	012101

	Eyepiece	Centering telescope	110002
	Objective	Infinity plan achromatic 4X/0.10	2080104
		Infinity plan achromatic 10X/0.25	2080110
		Infinity plan achromatic 40X/0.65(Spring)	2080140
		Infinity plan achromatic 100X/1.25(Spring, oil)	2080111
		Infinity phase contrast achromatic 10X/0.25 PHP	2480110
		Infinity phase contrast achromatic 20X/0.40 PHP(Spring)	2480120
		Infinity phase contrast achromatic 40X/0.65 PHP(Spring)	2480140
		Infinity phase contrast achromatic 100X/1.25 PHP(Spring, Oil)	2480111
CCD adapter	0.4X		810001
	0.5X		810004
	1X		810002
	0.5X with dividing 0.1mm/Div		810003
Camera	DV-1(With USB & video output)		800001
	DV-2(With USB output)		800003
	DV-3(With video output)		800005
	Photography	USB Output	1096001
		VIDEO Output	1108001
Digital camera adapter	CANON Digital camera adapter (A610, A620, A630, A640)		820001
Photograph unit	2.5X/4X Change over photograph attachment with 10X viewing eyepiece		840001
	4X Focusing photograph attachment		840002
	MD Adapter		840003
	PK Adapter		840004
Facility polarize	Polarizer(360° rotatable)		111001
	Analyzer		111101
Adapter(For LED illumination)	Input: 230V <sub>i</sub> «50/60HZ      Output: 9V    500mA		101001
	Input: 110V <sub>i</sub> «50/60HZ      Output: 9V    500mA		101002

# System Diagram



Dimension



*Items and specification subject to change,  
please contact ALLTION for current product information*

MICROSCOPES ARE OUR BUSINESS & SERVICE IS OUR PRIDE

# ALLTION

(Wuzhou) Co.,Ltd.

Address: Alltion Building, NO.10, 3<sup>rd</sup> road, Wuzhou Industrial Park, Wuzhou, Guangxi, China

Tel: +86-774-2836101

Fax: +86-774-2836192

E-mail: [sales@alltion.com](mailto:sales@alltion.com) or [sales@alltion-microscope.com](mailto:sales@alltion-microscope.com)

Web site: <http://www.alltion.com> or <http://www.alltion-microscope.com>