

L1000 Biological Microscope



L1000

L1000 series biological microscopes are equipped with monocular, achromatic objectives and wide field eyepieces. They have provides clearimage, wide field, convenience operation. They can be used for medicine agriculture area widely. They are the ideal instruments in medical treatment,teaching demonstration.

Features

- ▲ With wide field eyepieces and achromatic objectives, the field of view is widely and clear
- ▲ Separate coarse/fine system focus or coaxial coarse/fine focus system can be chosen, minimum division of fine focusing: 4μm
- ▲ 220V/110V 20W incandescent lamp transmission illumination.

Standard Configuration

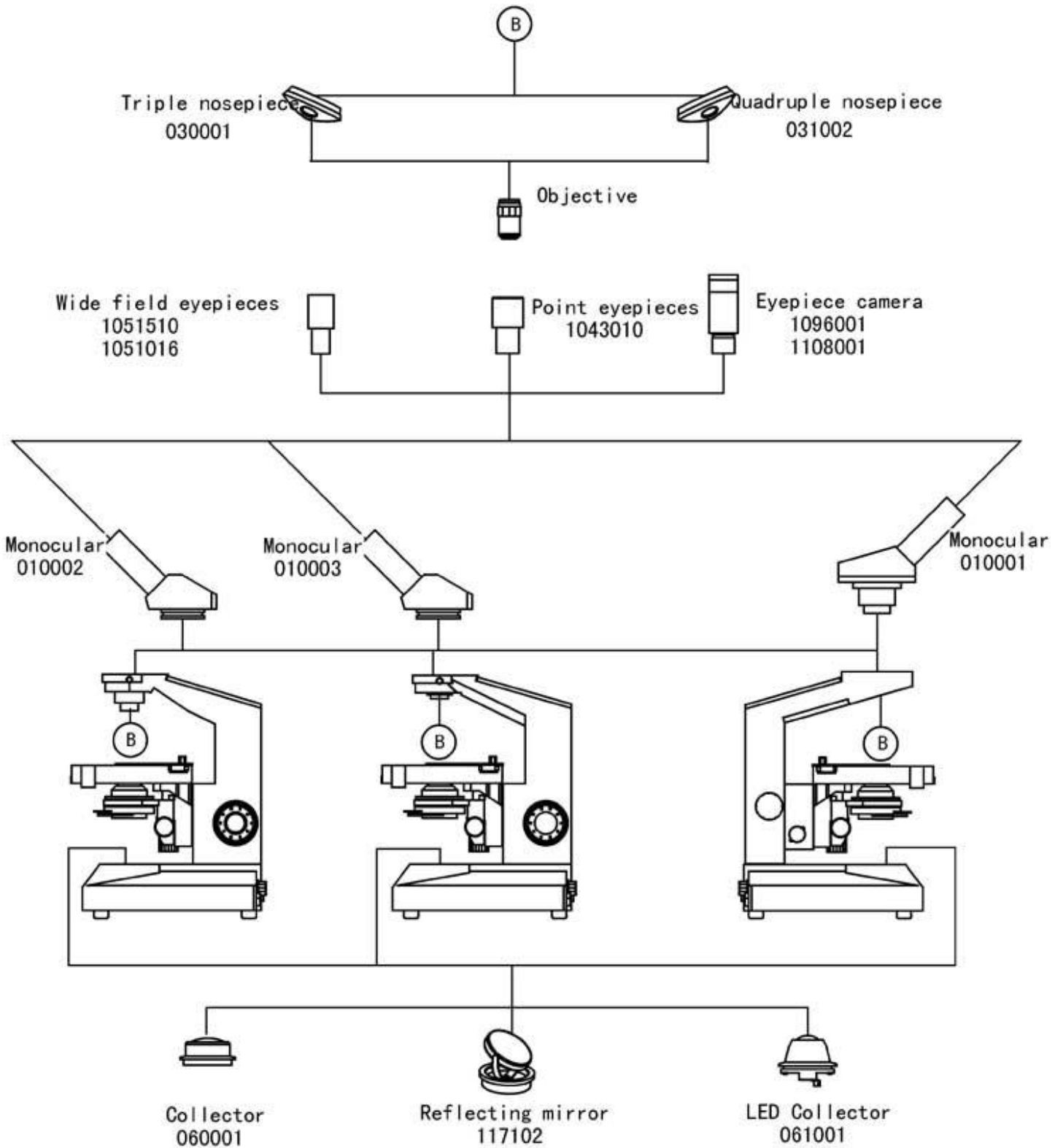
Model	L1000A	L1000B	L1000C
Eyepiece	Wide field WF10X(Φ18mm)		
Objective	Achromatic 4X/0.10		
	Achromatic 10X/0.25		
	Achromatic 40X/0.65(Spring)		
	Achromatic 100X/1.25(Spring, oil)		
Eyepiece tube	Monocular,360° rotatable (Inclination of 45°)	Monocular,360° rotatable (Inclination of 45°)	Monocular,360° rotatable (Inclination of 45°)
Focus system	Separate coarse/fine system focus. Minimum division of fine focusing: 4μm	Coaxial coarse/fine focus system. Minimum division of fine focusing: 4μm	

Nosepiece	Quadruple(Frontward ball bearing outer locating)	Quadruple(Backward ball bearing outer locating)
Stage	Double-layer mechanical, size:125mmX115mm, move range:70mmX30mm	
Abbe condenser	N.A.1.25 Rack &pinion adjustment	
Filter	Blue filter	
	Frosted filter	
Collector	For incandescent lamp	
Light source	220V/110V 20W, Incandescent lamp	

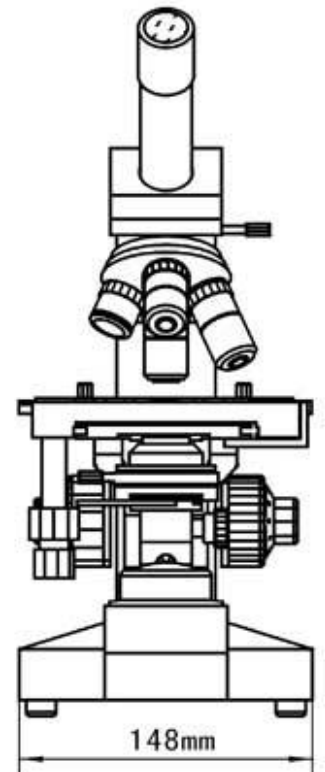
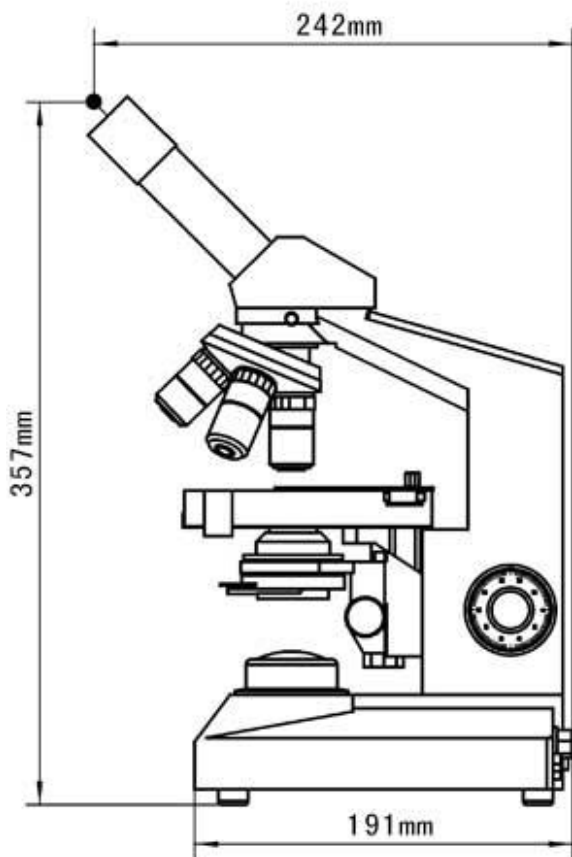
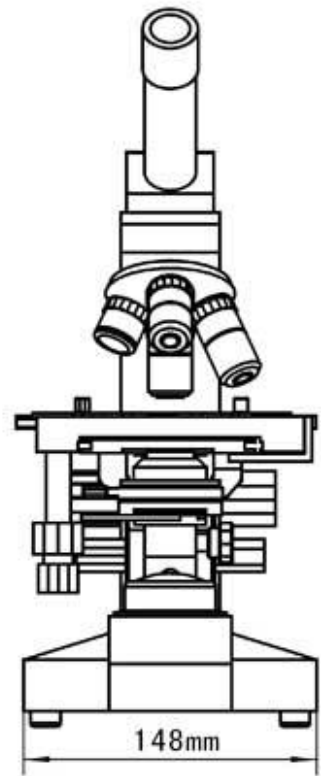
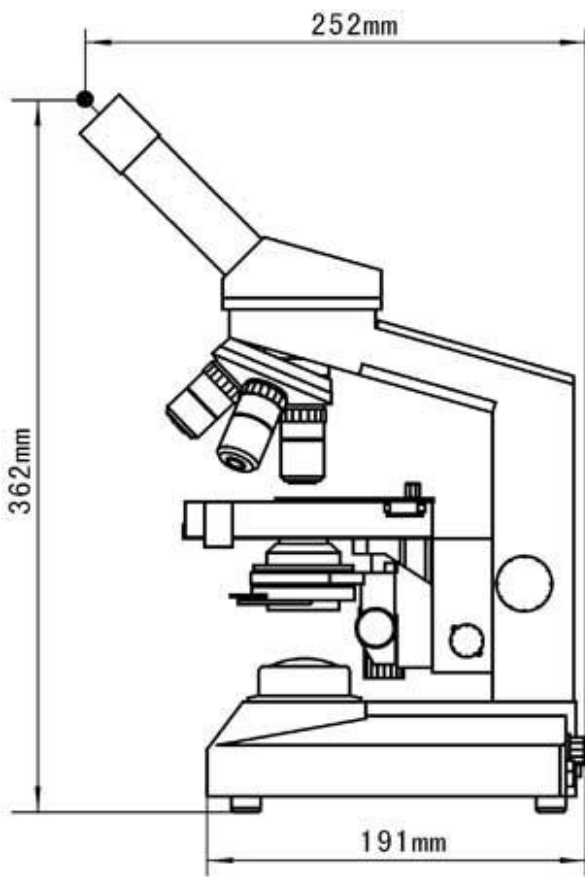
Optional accessories

Name	Sort/Technique parameter		NO.
Eyepiece	Wide field WF16X(Φ11mm)		1051016
	Point 10X(Φ18mm)		1043010
Nosepiece	Triple(Frontward ball bearing outer locating)		030001
Filter	Green filter		115002
	Yellow filter		115003
Light source	Fluorescent lamp	5W,110V/220V Can be choose	071001
	LED Illumination	High brightness white	073001
	Reflecting mirror	Plane-concave reflecting mirror with stand	074001
Camera	Photography	USB Output	1096001
		VIDEO Output	1108001
Adapter	Input: 230V _± 50/60HZ Output: 9V 500mA		101001
	Input: 110V _± 50/60HZ Output: 9V 500mA		101002

System Diagram



Dimension



*Items and specification subject to change,
please contact ALLTION for current product information*

MICROSCOPES ARE OUR BUSINESS & SERVICE IS OUR PRIDE

ALLTION
(Wuzhou) Co.,Ltd.

Address: Alltion Building, NO.10, 3rd road, Wuzhou Industrial Park, Wuzhou, Guangxi, China

Tel: +86-774-2836101

Fax: +86-774-2836192

E-mail: sales@alltion.com or sales@alltion-microscope.com

Web site: <http://www.alltion.com> or <http://www.alltion-microscope.com>