

## L800 Biological Microscope



### L800

**L800series biological microscopes are equipped with monocular, achromatic objectives and wide field eyepieces. They have provides clearimage, wide field, convenience operation. They can be used for medicine agriculture area widely. They are the ideal instruments in medicaltreatment, teaching demonstration.**

#### Features

- ▲ With wide field eyepieces and achromatic objectives, the field of view is widely and clear
- ▲ Separate coarse/fine system focus or coaxial coarse/fine focus system can be chosen, minimum division of fine focusing: 4 $\mu$ m
- ▲ 220V/110V 20W incandescent lamp transmission illumination.

#### Standard Configuration

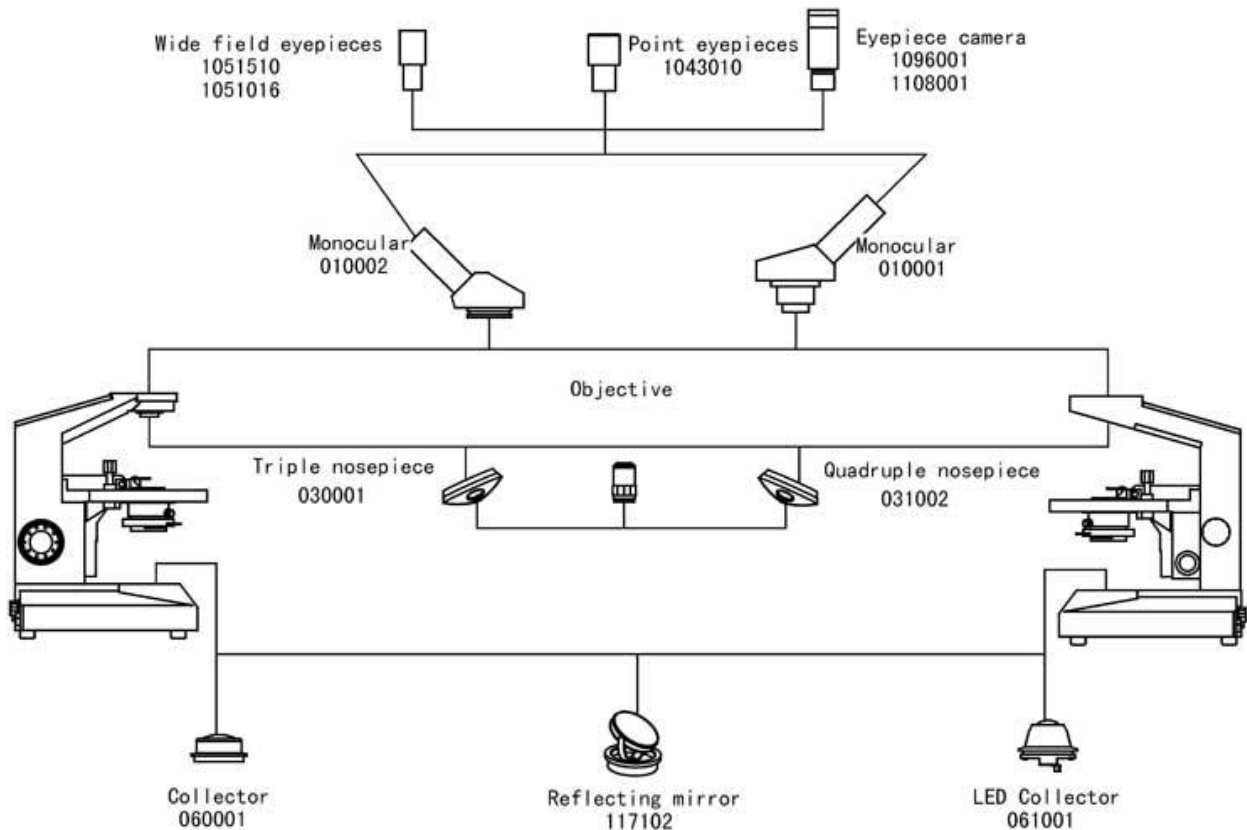
Model	L800A	L800B
Eyepiece	Wide field WF10X( $\Phi$ 18mm)	
Objective	Achromatic 4X/0.10	
	Achromatic 10X/0.25	
	Achromatic 40X/0.65(Spring)	
	Achromatic 100X/1.25(Spring, oil)	
Eyepiece tube	Monocular,360° rotatable (Inclination of 45°)	Monocular,360° rotatable (Inclination of 45°)
Focus system	Separate coarse/fine system focus. Minimum division of fine focusing: 4 $\mu$ m	Coaxial coarse/fine focus system. Minimum division of fine focusing: 4 $\mu$ m
Nosepiece	Quadruple(Frontward ball bearing outer locating)	

Stage	Fixed, with slide moving holder Size:120mmX120mm, move range:70mmX30mm
Abbe condenser	N.A.1.25 Spiral adjustment
Filter	Blue filter
	Frosted filter
Collector	For incandescent lamp
Light source	220V/110V 20W, Incandescent lamp

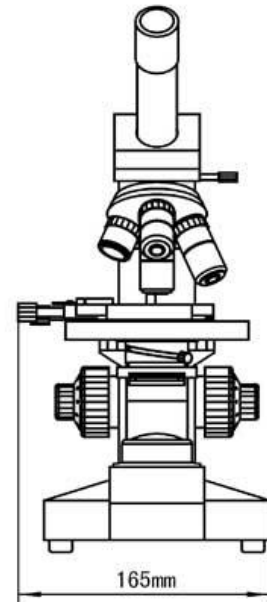
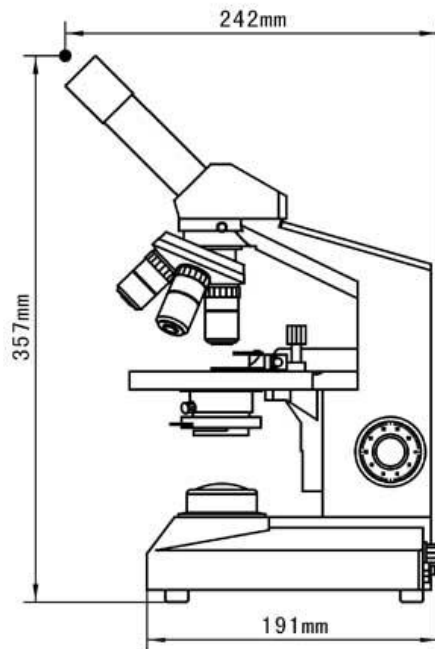
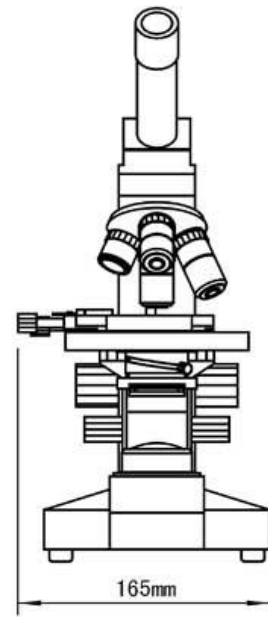
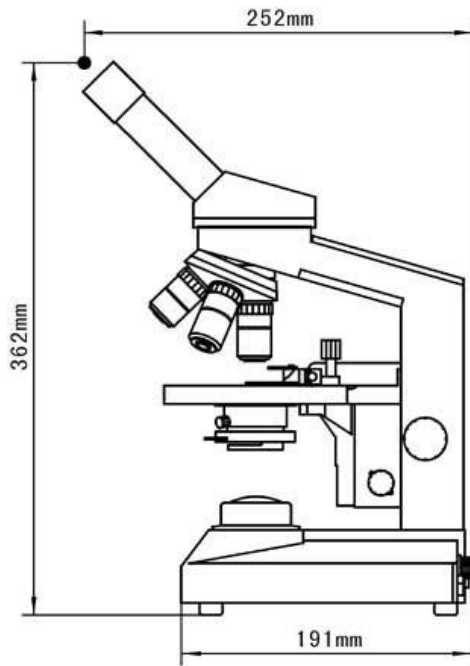
### Optional accessories

Name	Sort/Technique parameter	NO.	
Eyepiece	Wide field WF16X( $\Phi$ 11mm)	1051016	
	Point 10X( $\Phi$ 18mm)	1043010	
Nosepiece	Triple (Frontward ball bearing outer locating)	030001	
Filter	Green filter	115002	
	Yellow filter	115003	
Light source	Fluorescent lamp	5W, 110V/220V Can be choose	071001
	LED Illumination	High brightness white	073001
	Reflecting mirror	Plane-concave reflecting mirror with stand	074001
Camera	Photography	USB Output	1096001
		VIDEO Output	1108001
Adapter (For LED illumination)	Input: 230V; $\ll$ 50/60HZ	Output: 9V 500mA	101001
	Input: 110V; $\ll$ 50/60HZ	Output: 9V 500mA	101002

### System Diagram



### Dimension



*Items and specification subject to change,  
please contact ALLTION for current product information*

**MICROSCOPES ARE OUR BUSINESS & SERVICE IS OUR PRIDE**

**ALLTION**  
(Wuzhou) Co.,Ltd.

Address: Alltion Building, NO.10, 3<sup>rd</sup> road, Wuzhou Industrial Park, Wuzhou, Guangxi, China  
Tel: +86-774-2836101 Fax: +86-774-2836192

E-mail: [sales@alltion.com](mailto:sales@alltion.com) or [sales@alltion-microscope.com](mailto:sales@alltion-microscope.com)  
Web site: <http://www.alltion.com> or <http://www.alltion-microscope.com>