

L790 Biological Microscope



L790 series biological microscopes are equipped with monocular, achromatic objectives and wide field eyepieces. They have provides clear image and convenience operation. They can be used for medicine agriculture area widely. They are the ideal instruments in medical treatment, teaching demonstration.

Features

- ▲ With wide field eyepieces and achromatic objectives, the field of view is clear.
- ▲ Coaxial coarse/fine focus system. Minimum division of fine focusing: 4 μ m.
- ▲ High brightness white LED lamp transmission illumination

Standard Configuration

Model	L790A	L790B
Eyepiece	WF10X(Φ 18mm)	
Objective	Achromatic 4X/0.10	Achromatic 4X/0.10
	Achromatic 10X/0.25	Achromatic 10X/0.25
	Achromatic 40X/0.65(Spring)	Achromatic 40X/0.65(Spring)

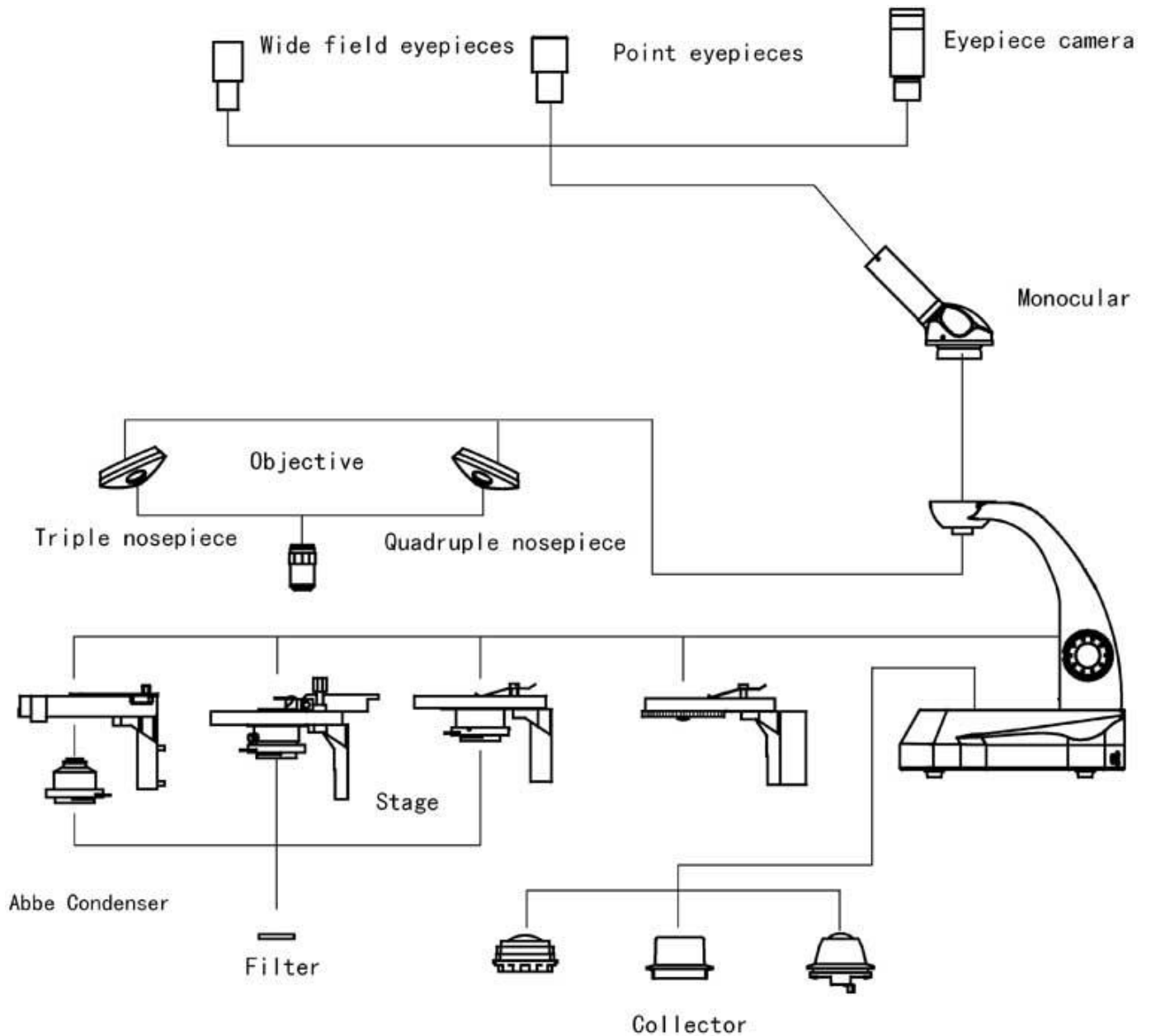
		Achromatic100X/1.25(Spring oil)
Eyepiece tube	Monocular,360° rotatable (Inclination of 45°)	
Nosepiece	Triple(Frontward ball bearing outer locating)	Quadruple (Frontward ball bearing outer locating)
Focus system	Coaxial coarse/fine focus system. Minimum division of fine focusing: 4μm	
Stage	Fixed(Size:120mmX120mm, With five holes fixed iris diaphragm)	Double-layer mechanical, size:125mmX115mm, move range:70mmX30mm
Abbe condenser		Rack &pinion adjustment
Collector	For LED lamp	
Light source	LED High brightness white LED lamp	

Optional accessories

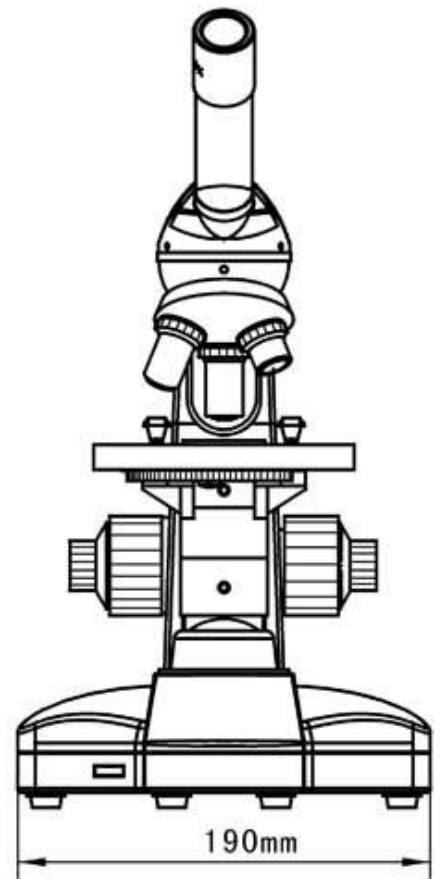
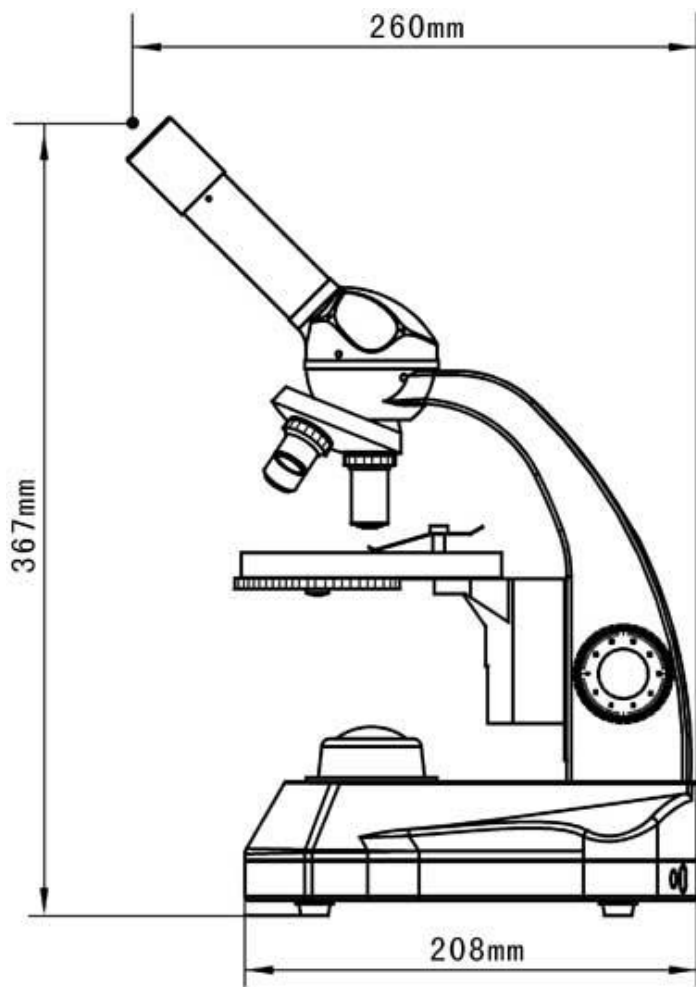
Name	Sort/Technique parameter	NO.	
Eyepiece	Wide field WF16X(Φ11mm)	1051016	
	Point 10X(Φ18mm)	1043010	
Stage	Fixed(Size:120mmX120mm, With single lens and iris diaphragm)	040001	
	Fixed(Size:120mmX120mm, with slide moving holder and Abbe condenser)	040004	
Filter	Blue filter	115001	
	Green filter	115002	
	Yellow filter	115003	
	Frosted filter	115004	
Collector	For Fluorescent and Halogen lamp	060002	
	For Incandescent lamp	060004	
Light source	High brightness white LED lamp	With adapter	073011
	High brightness white LED lamp	With adapter and charge batteries	073012
	Halogen lamp	12V 20W	070019
	Fluorescent lamp	110V/220V, 5W Can be choose	071006
	Incandescent lamp	220V/110V, 20W Can be choose	072004

Camera	Photography	USB Output	1096001
		VIDEO Output	1108001
Adapter (For LED illumination)		Input: 230V _i < 50/60HZ Output: 9V 500mA	101001
		Input: 110V _i < 50/60HZ Output: 9V 500mA	101002

Diagram



Dimensions



*Items and specification subject to change,
please contact ALLTION for current product information*

MICROSCOPES ARE OUR BUSINESS & SERVICE IS OUR PRIDE

ALLTION
(Wuzhou) Co., Ltd.

Address: Alltion Building, NO.10, 3rd Road Wuzhou Industrial Park, Wuzhou, Guangxi, China
543000

Tel: +86-774-2836101

Fax: +86-774-2836192

E-mail: sales@alltion.com or sales@alltion-microscope.com

Web site: <http://www.alltion.com> or <http://www.alltion-microscope.com>