

## L135 Biological Microscope



### L135A

**L135** series biological microscopes are equipped with achromatic objectives and wide field eyepieces. They have clear image and wide view field through optical system. They can be broadly applied in biology medicine, agriculture, industry etc. They are the ideal instrument for medical treatment, teaching and scientific research.

#### Features

- ▲ With wide field eyepieces and achromatic objectives, the field of view is widely and clear
- ▲ L135A、L135C: Coaxial coarse/fine focus system with up stop; Minimum division of fine focusing: 4 $\mu$ m. L135B、L135D: Coaxial coarse/fine focus system, with tensional adjustable and up stop. Minimum division of fine focusing: 4 $\mu$ m
- ▲ 12 Volt 20 Watt Halogen lamp with brightness control

#### Standard Configuration

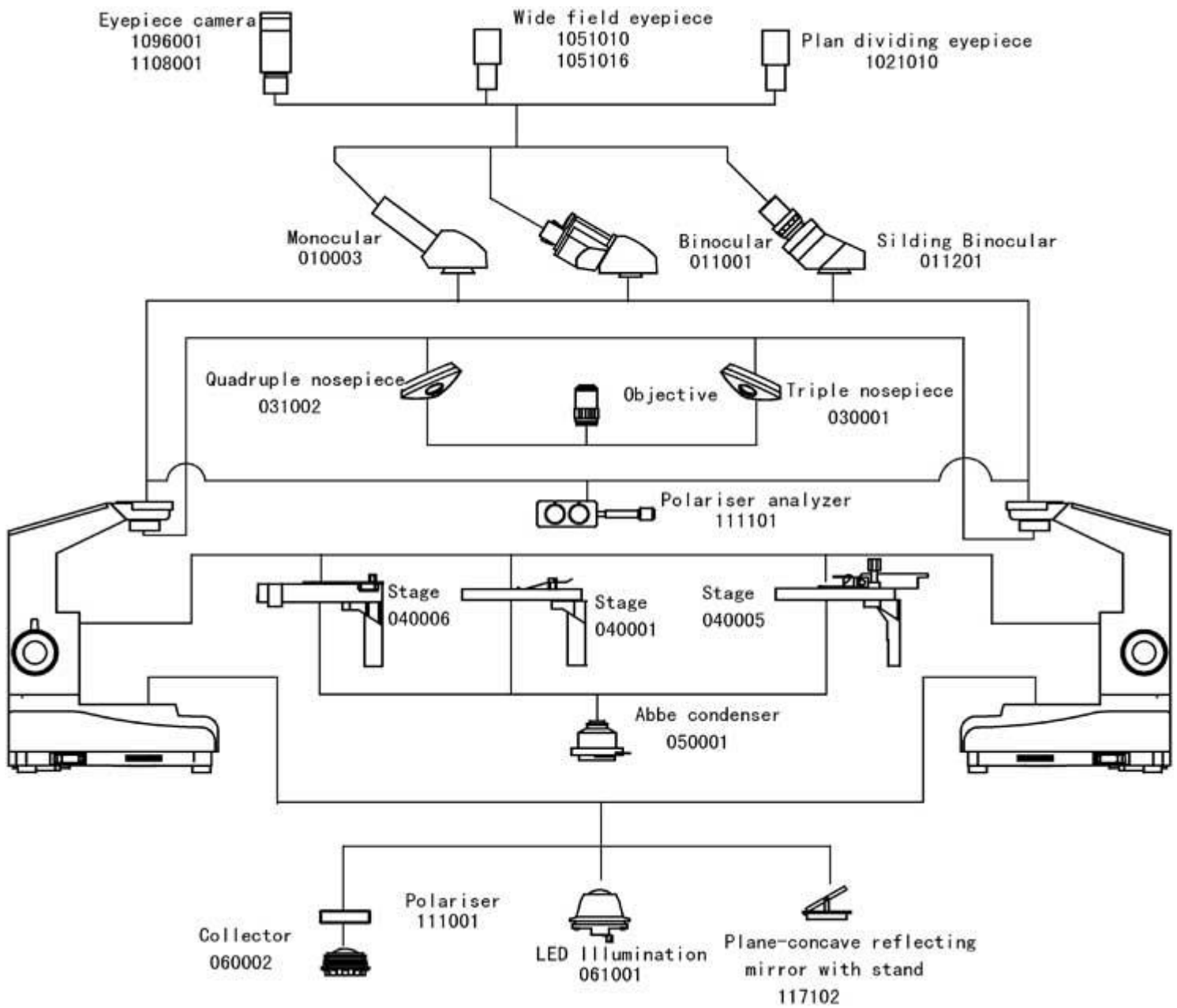
Model	L135A	L135B	L135C	L135D
Eyepiece	Wide field WF10X( $\phi$ 18mm)			
Objective	Achromatic 4X/0.10			
	Achromatic 10X/0.25			
	Achromatic 40X/0.65(Spring)			
	Achromatic 100X/1.25(Spring, oil)			
Eyepiece tube	Binocular(Inclination of 30°)			
Focus system	Coaxial coarse/fine focus system with up	Coaxial coarse/fine focus	Coaxial coarse/fine focus	Coaxial coarse/fine focus

	stop, Minimum division of fine focusing: 4 μm	system, with tensional adjustable and up stop, Minimum division of fine focusing: 4 μm	system with up stop, Minimum division of fine focusing: 4 μm	system, with tensional adjustable and up stop. Minimum division of fine focusing: 4 μm
Nosepiece	Quadruple (Frontward ball bearing outer locating)		Quadruple (Frontward ball bearing outer locating)	
Stage	Double layer mechanical (Size:125mmX115mm, Move range: 70mmX30mm)			
Abbe Condenser	N. A. 1.25 Rack & pinion adjustable			
Filter	Blue filter			
	Frosted filter			
Collector	For halogen lamp			
Light source	12Volt 20 Watt Halogen lamp with brightness control			

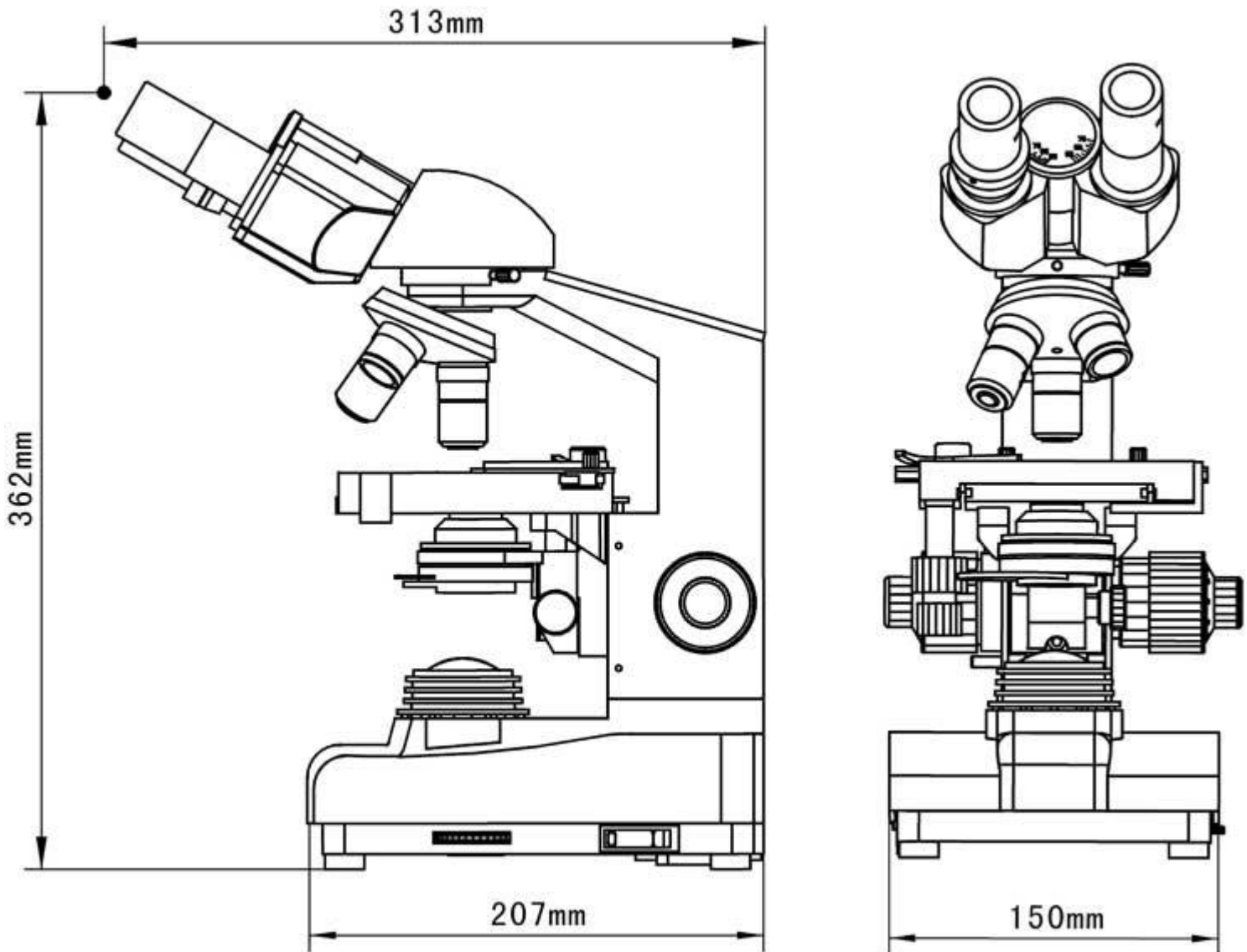
### Optional accessories

Name	Sort/Technique parameter		NO.
Eyepiece	Wide field WF16X(φ11mm)		1051510
	Dividing 10X(φ18mm)		1021010
Eyepieces tube	Monocular	Inclination of 45°	010003
	Binocular	Sliding(Inclination of 45°)	011202
	Dual viewing tube	Inclination of 30°	013001
Nosepiece	Triple	Frontward Ball bearing outer locating	030001
Stage	Fixed with slide moving holder	Size:120mmX120mm, Moving range:70mmX30mm	040005
	Fixed	Size:120mmX120mm	040001
Filter	Green filter		115002
	Yellow filter		115003
Light source	Fluorescent lamp	Can be choose 5W, 110V/220V	071002
	Ordinary lamp	Can be choose 110V/220V	072003
	LED Illumination	High brightness white	073002
	Reflecting mirror	Plane-concave reflecting mirror with stand	074002
Camera	Eyepiece camera	USB Output	1096001
		VIDEO Output	1108001
Adapter(For LED illumination)	Input: 230V; <50/60HZ	Output: 9V 500mA	101001
	Input: 110V; <50/60HZ	Output: 9V 500mA	101002
Facility polarize	Polarizer(360° rotatable stage)		111001
	Analyzer		111101

# System Diagram



Dimension



*Items and specification subject to change,  
please contact ALLTION for current product information*

**MICROSCOPES ARE OUR BUSINESS & SERVICE IS OUR PRIDE**

**ALLTION**  
(Wuzhou) Co.,Ltd.

Address: Alltion Building, NO.10, 3<sup>rd</sup> road, Wuzhou Industrial Park, Wuzhou, Guangxi, China

Tel: +86-774-2836101

Fax: +86-774-2836192

E-mail: [sales@alltion.com](mailto:sales@alltion.com) or [sales@alltion-microscope.com](mailto:sales@alltion-microscope.com)

Web site: <http://www.alltion.com> or <http://www.alltion-microscope.com>